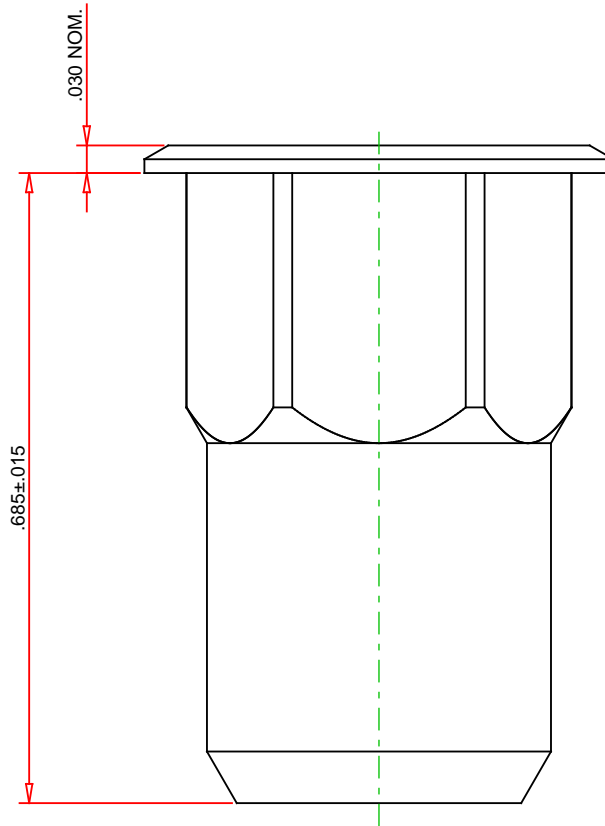
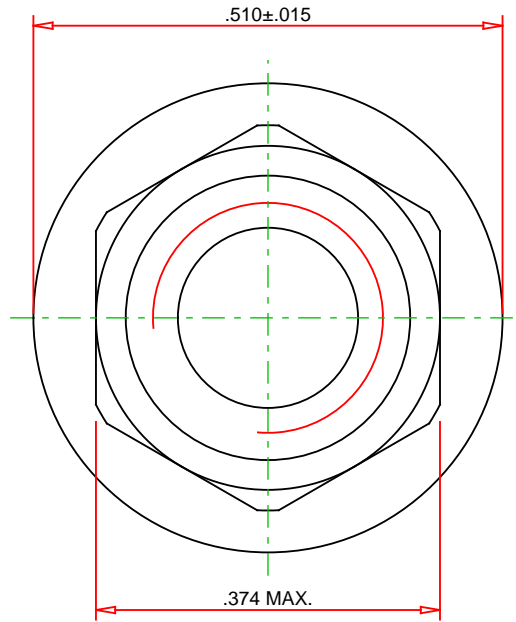
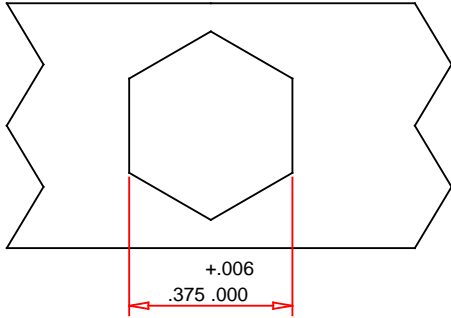


Hex Hole Size



© 2018 PennEngineering

ALL DIMENSIONS IN INCHES

DATE 2-OCT-2018

NOTE : DRAWING NOT TO SCALE

THREAD :	1/4-20	MOUNTING HOLE DIA. :	$.375 +.006 -.000$
MATERIAL:	STEEL	PANEL THICKNESS:	NOT APPLICABLE
HEAT TREAT:	YES	GRIP RANGE:	$.165 - .260$
FINISH:	RoHS COMPLIANT ZINC AND YELLOW CHROMATE	MIN CENTERLINE-TO-EDGE:	NOT APPLICABLE

DESCRIPTION :
 HALF-HEX SHANK LOW-PROFILE HEAD THREADED
 INSERT - OPEN END - UNIFIED

PART NO. :
 AEHS8-420-260 UNINSTALLED



EMAIL: TECHSUPPORT@PEMNET.COM
 WWW.PEMNET.COM