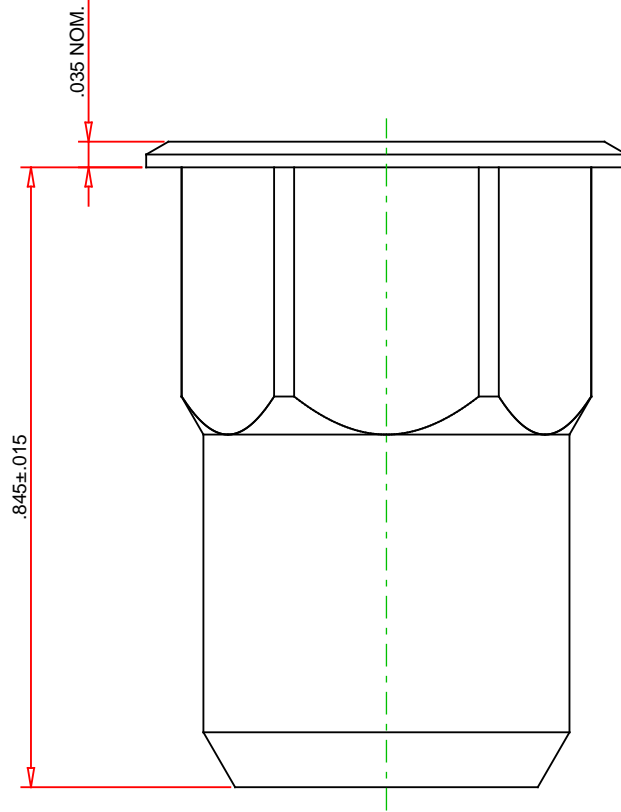
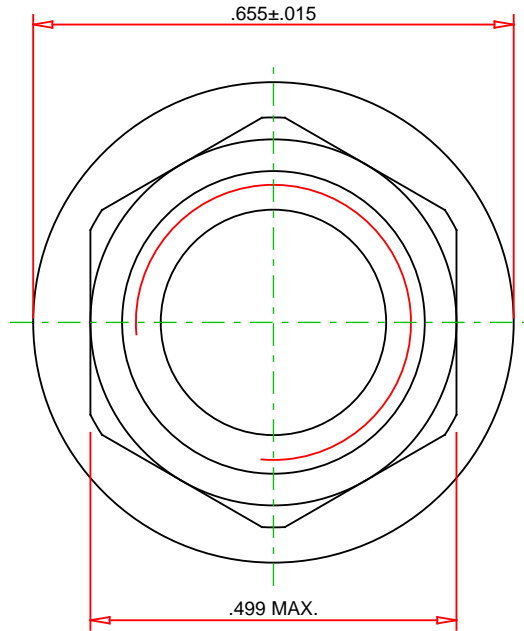
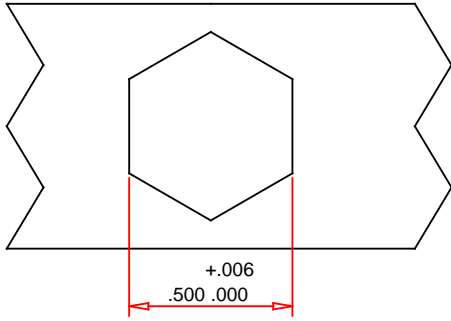


Hex Hole Size



© 2018 PennEngineering

ALL DIMENSIONS IN INCHES

DATE 2-OCT-2018

NOTE : DRAWING NOT TO SCALE

THREAD : 3/8-16

MOUNTING HOLE DIA. : .500 +.006 -.000

MATERIAL: STEEL

PANEL THICKNESS: NOT APPLICABLE

HEAT TREAT: YES

GRIP RANGE: .150 - .312

FINISH: RoHS COMPLIANT ZINC AND YELLOW CHROMATE

MIN CENTERLINE-TO-EDGE: NOT APPLICABLE

DESCRIPTION :

HALF-HEX SHANK LOW-PROFILE HEAD THREADED INSERT - OPEN END - UNIFIED



PART NO. :

AEHS8-616-312 UNINSTALLED

EMAIL: TECHSUPPORT@PEMNET.COM  
WWW.PEMNET.COM