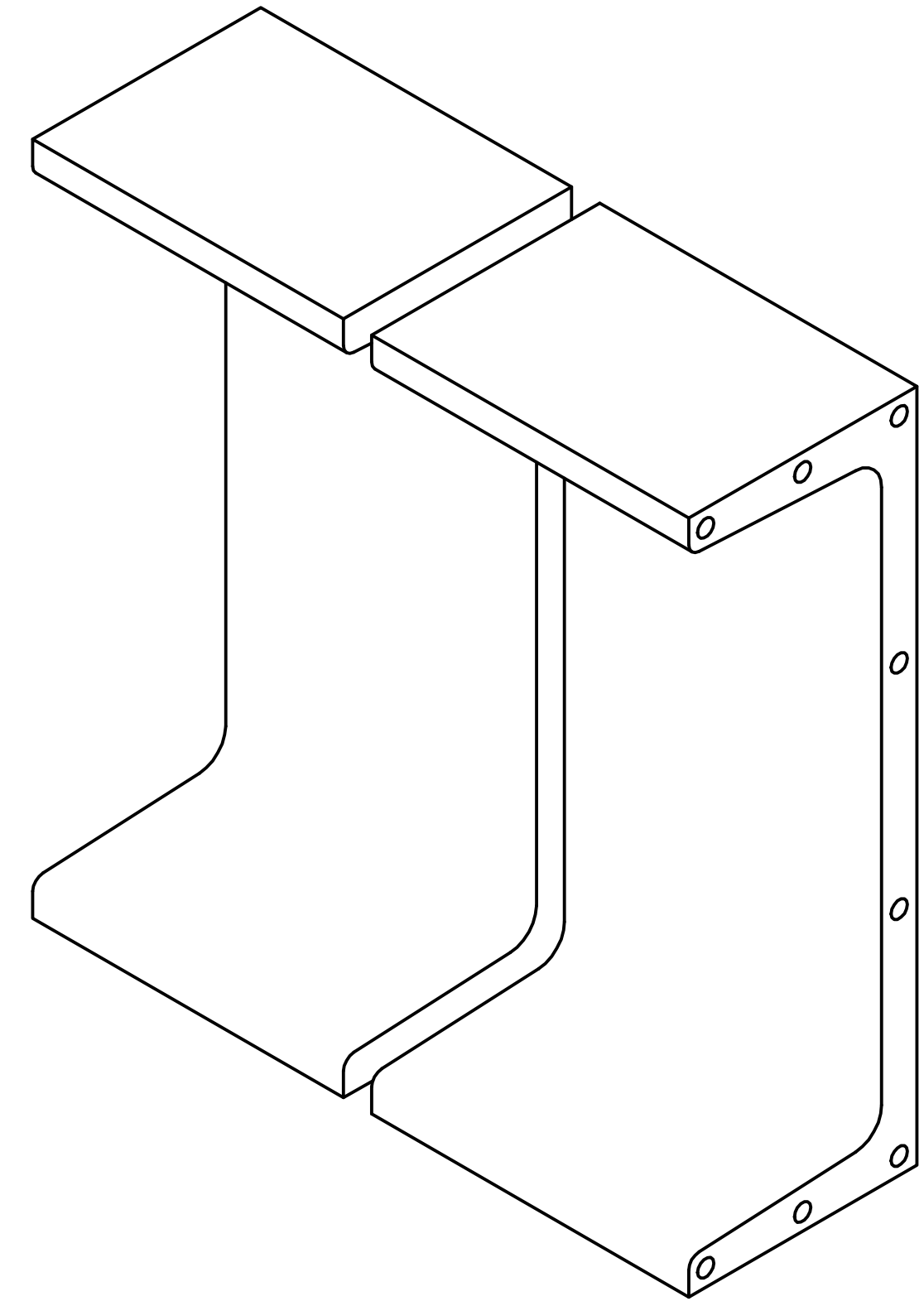
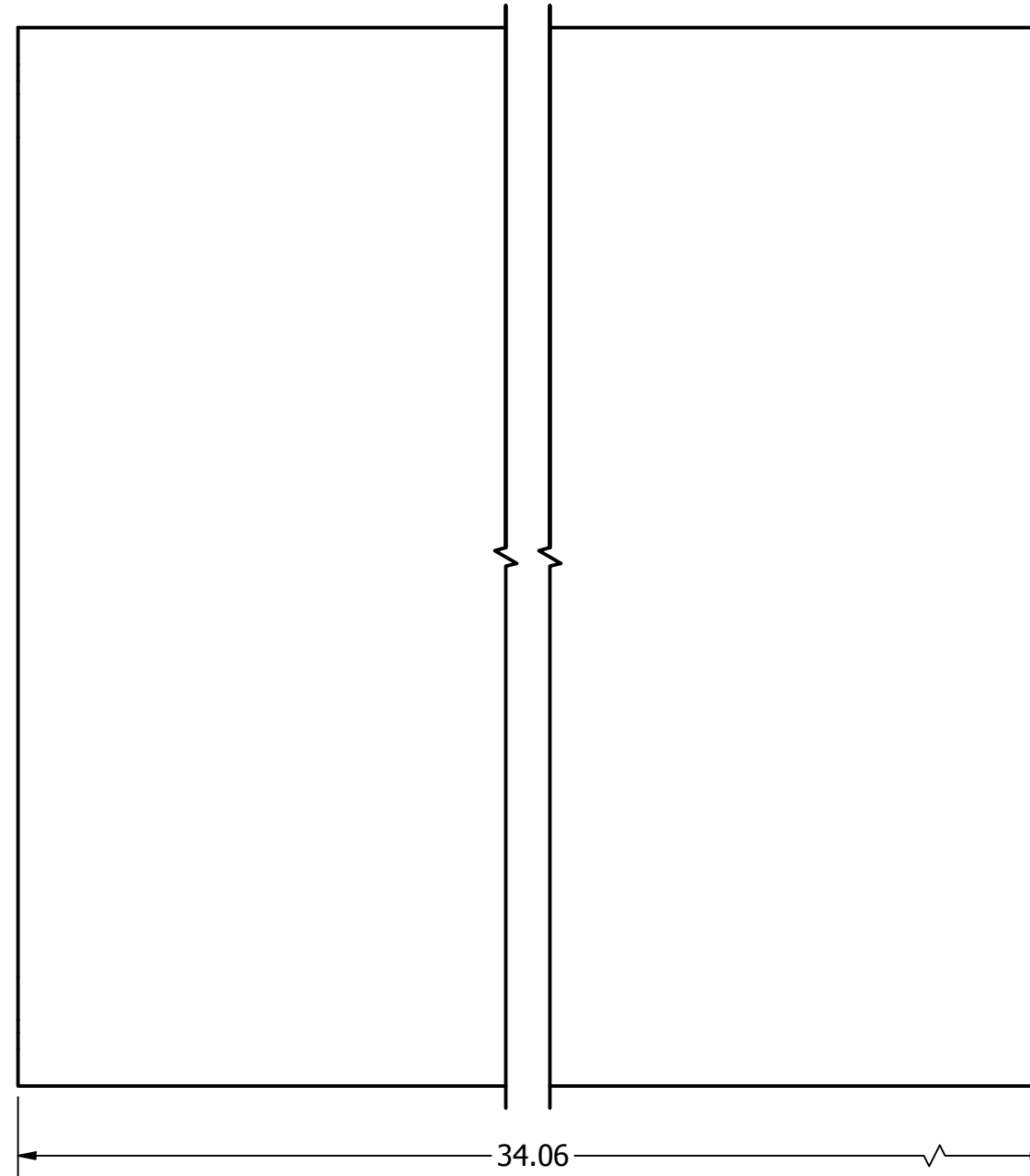
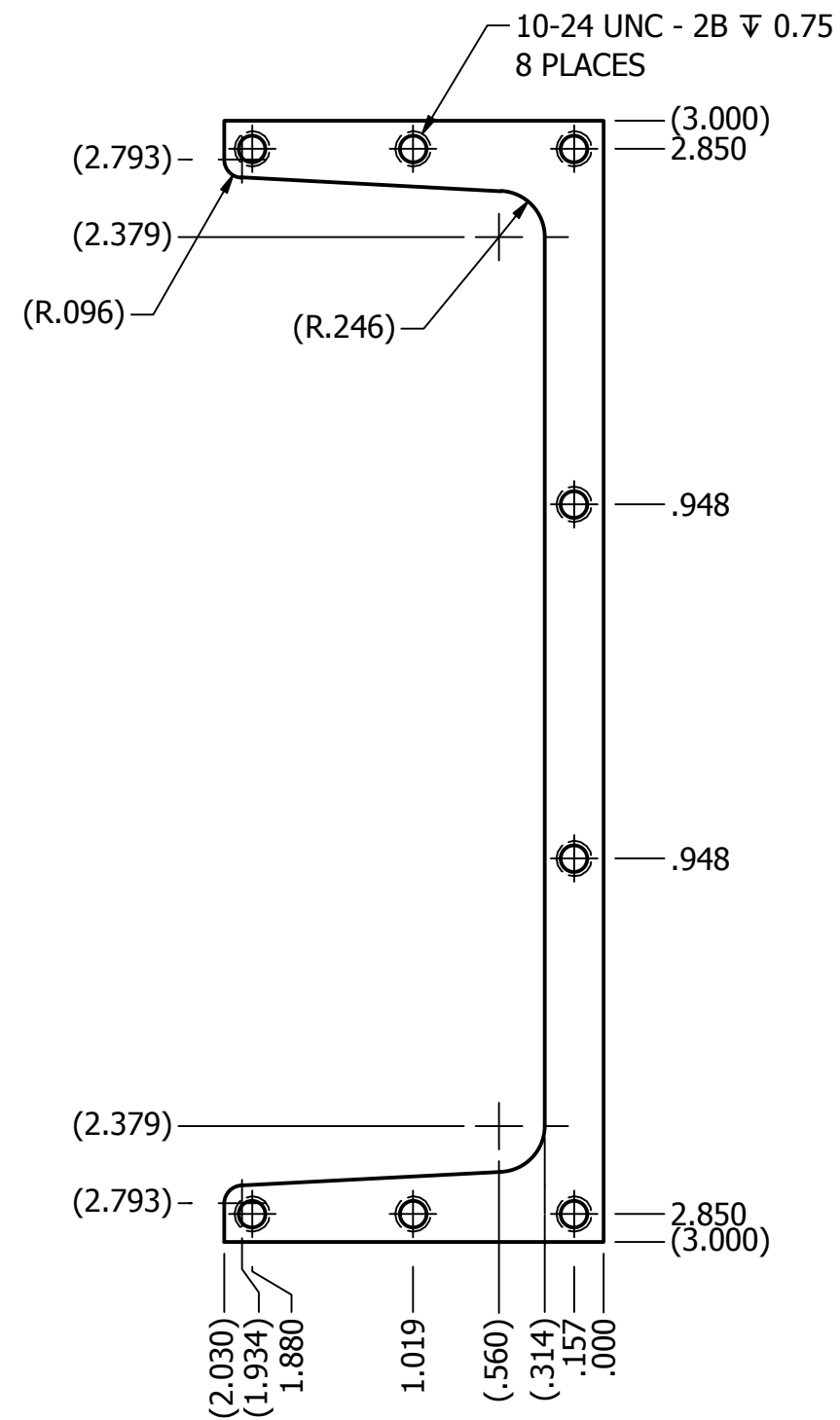


REVISION HISTORY				
ZONE	REV	DESCRIPTION	DATE	APPROVED
	-		9/17/2018	



DRAWN S. Cannon	9/17/2018	NMSU Physical Science Laboratory		
CHECKED		TITLE		
QA		E1039 PPT Lifting Bar Detail		
MFG				
APPROVED				
		SIZE C	DWG NO MDT-017990-0200-03	REV -
		SCALE 1 : 1	SHEET 1 OF 1	

Text:
Material: American Standard C6x3.63 Extruded Aluminum Channel