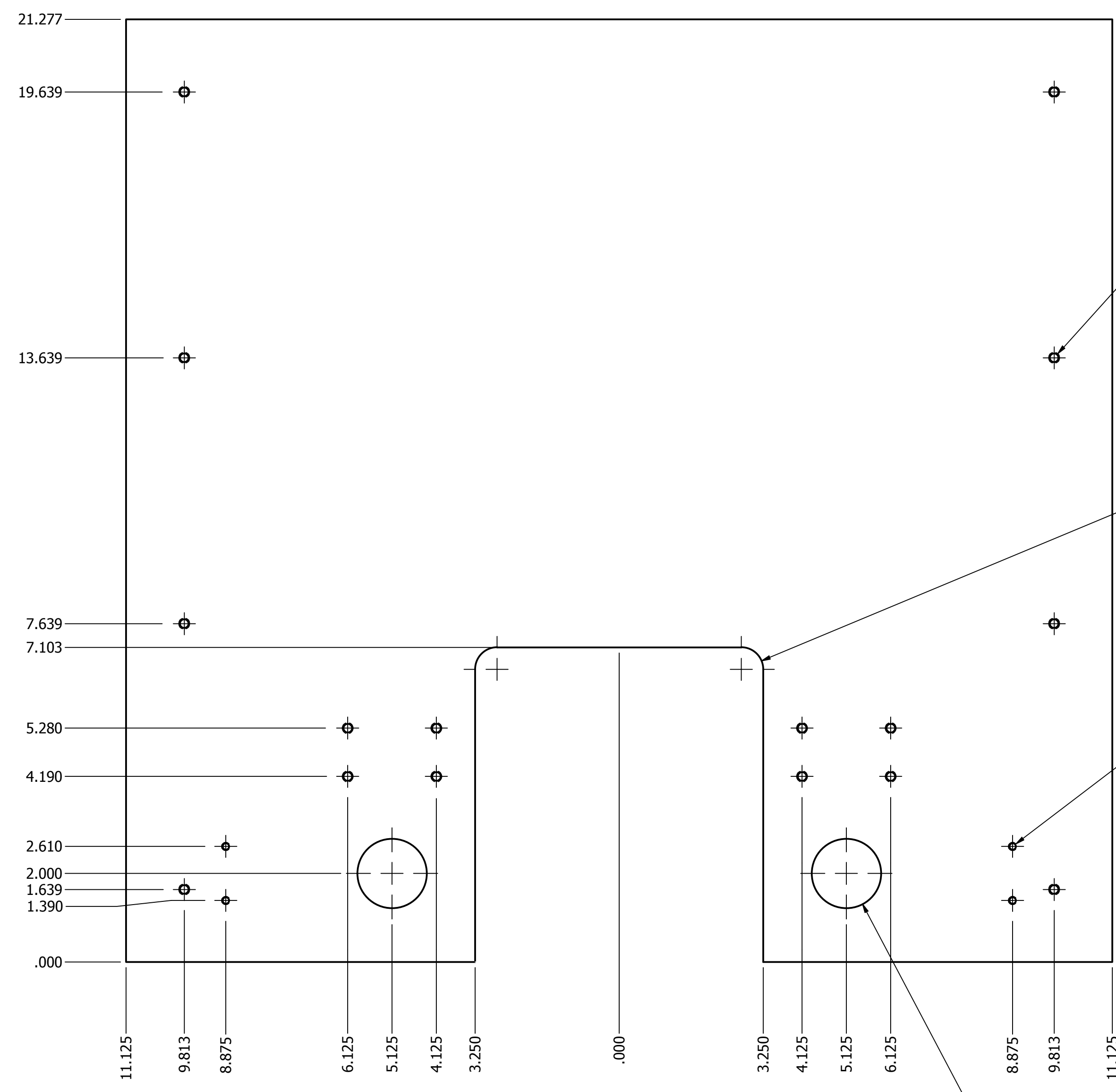


REVISION HISTORY				
ZONE	REV	DESCRIPTION	DATE	APPROVED
	-		9/18/2018	

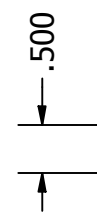
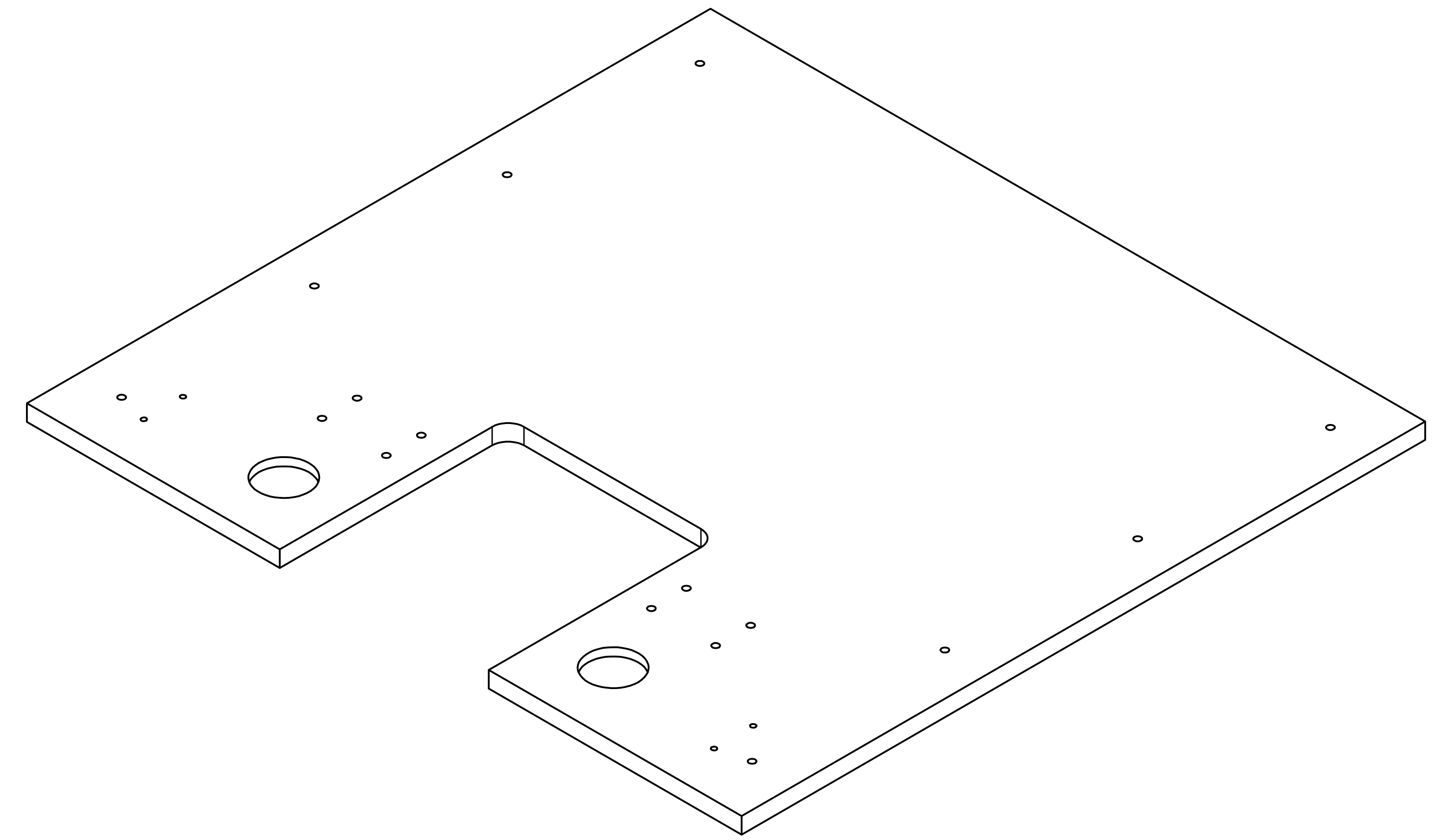


1/4-20 UNC - 2B THRU
16 PLACES

R.496
2 PLACES

10-24 UNC - 2B THRU
4 PLACES

Ø1.563 ∇ .250
2 PLACES



Notes:
Material: 6061-T6 aluminum

DRAWN S. Cannon	9/18/2018	NMSU Physical Science Laboratory		
CHECKED		TITLE		
QA		E1039 PPT Lifter Support Top Plate Detail		
MFG		SIZE D	DWG NO MDT-017990-0700-01	REV -
APPROVED		SCALE 1 / 2	SHEET 1 OF 1	