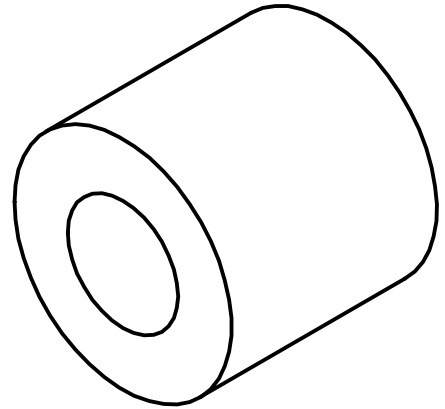
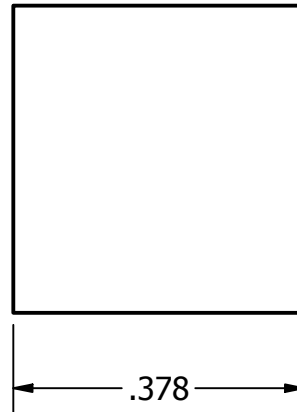
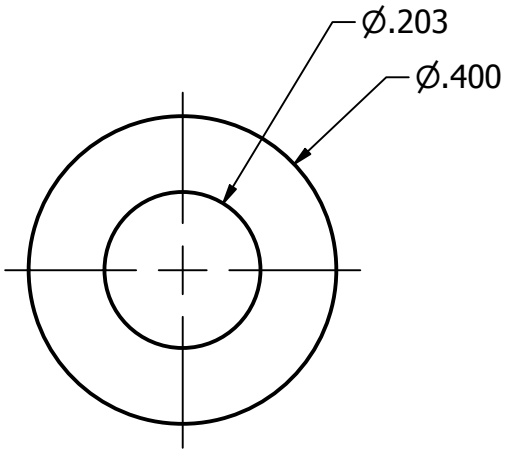


REVISION HISTORY				
ZONE	REV	DESCRIPTION	DATE	APPROVED
	-		9/18/2018	



DRAWN		
S. Cannon	9/18/2018	
CHECKED		
QA		
MFG		
APPROVED		

NMSU Physical Science Laboratory			
TITLE			
E1039 PPT Gear Box Mounting Spacer			
SIZE		DWG NO	REV
A		MDT-017990-0700-05	-
SCALE	4 : 1	SHEET 1 OF 1	

Notes:  
Material: 6061-T6 aluminum

