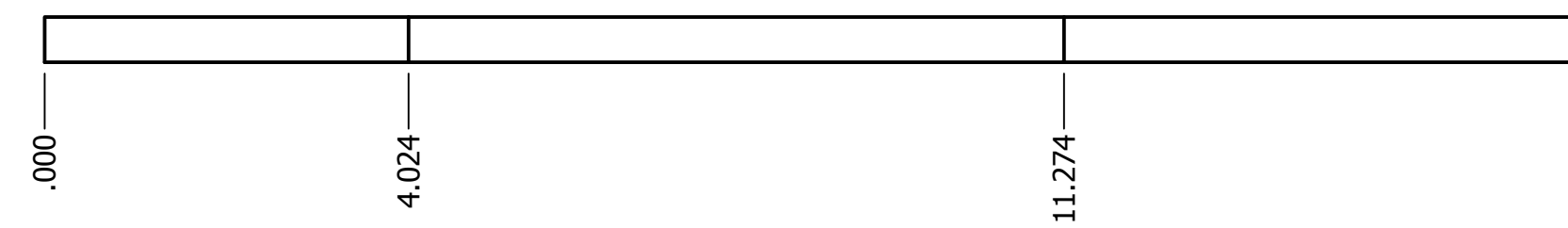
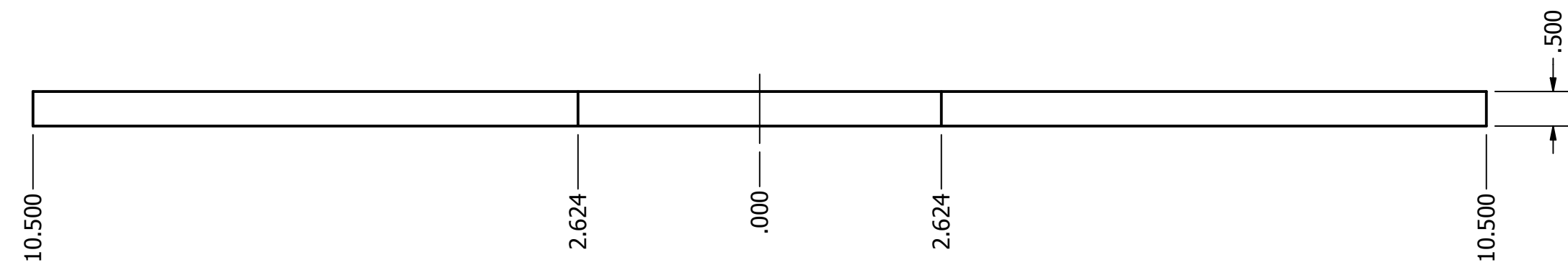
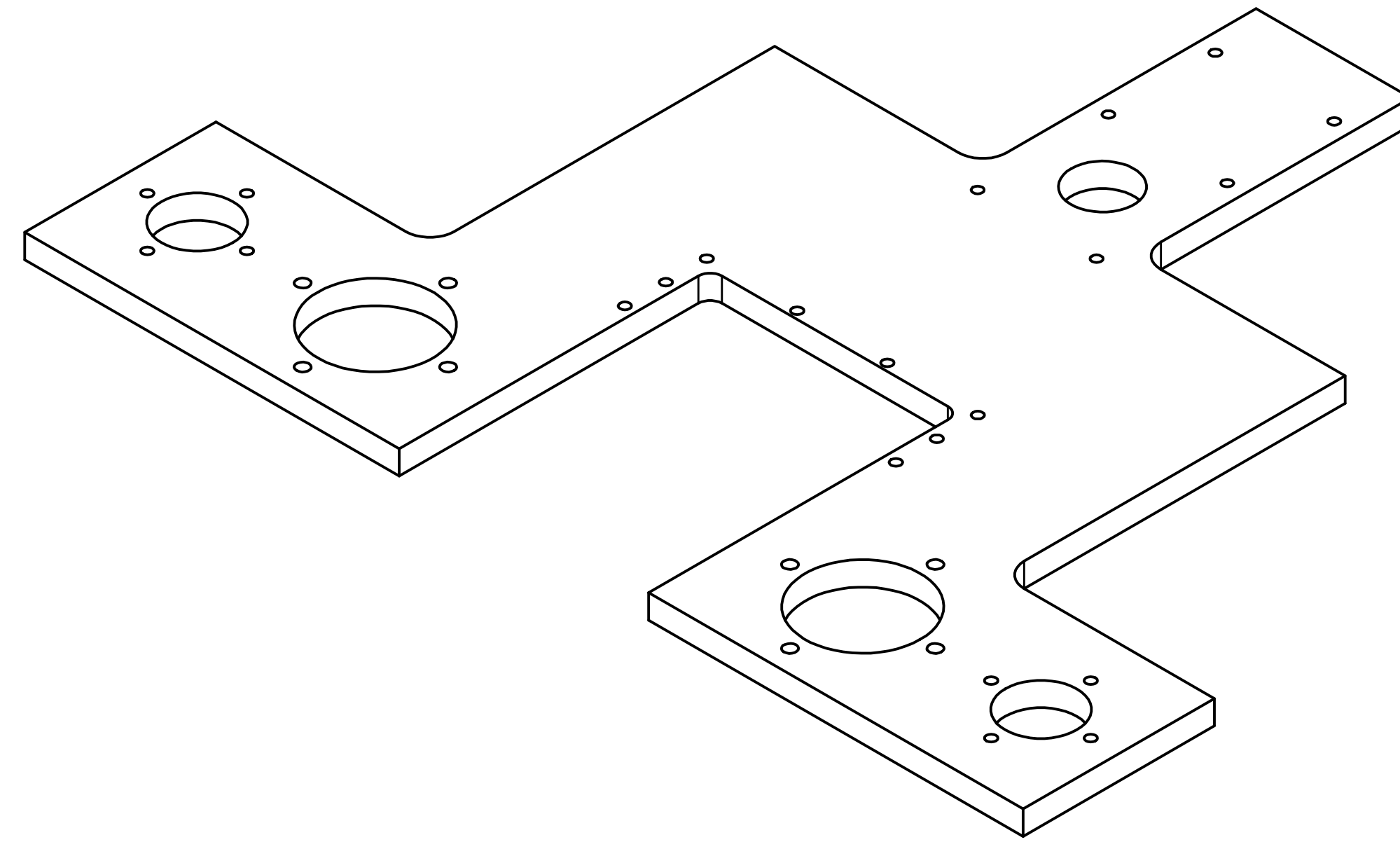
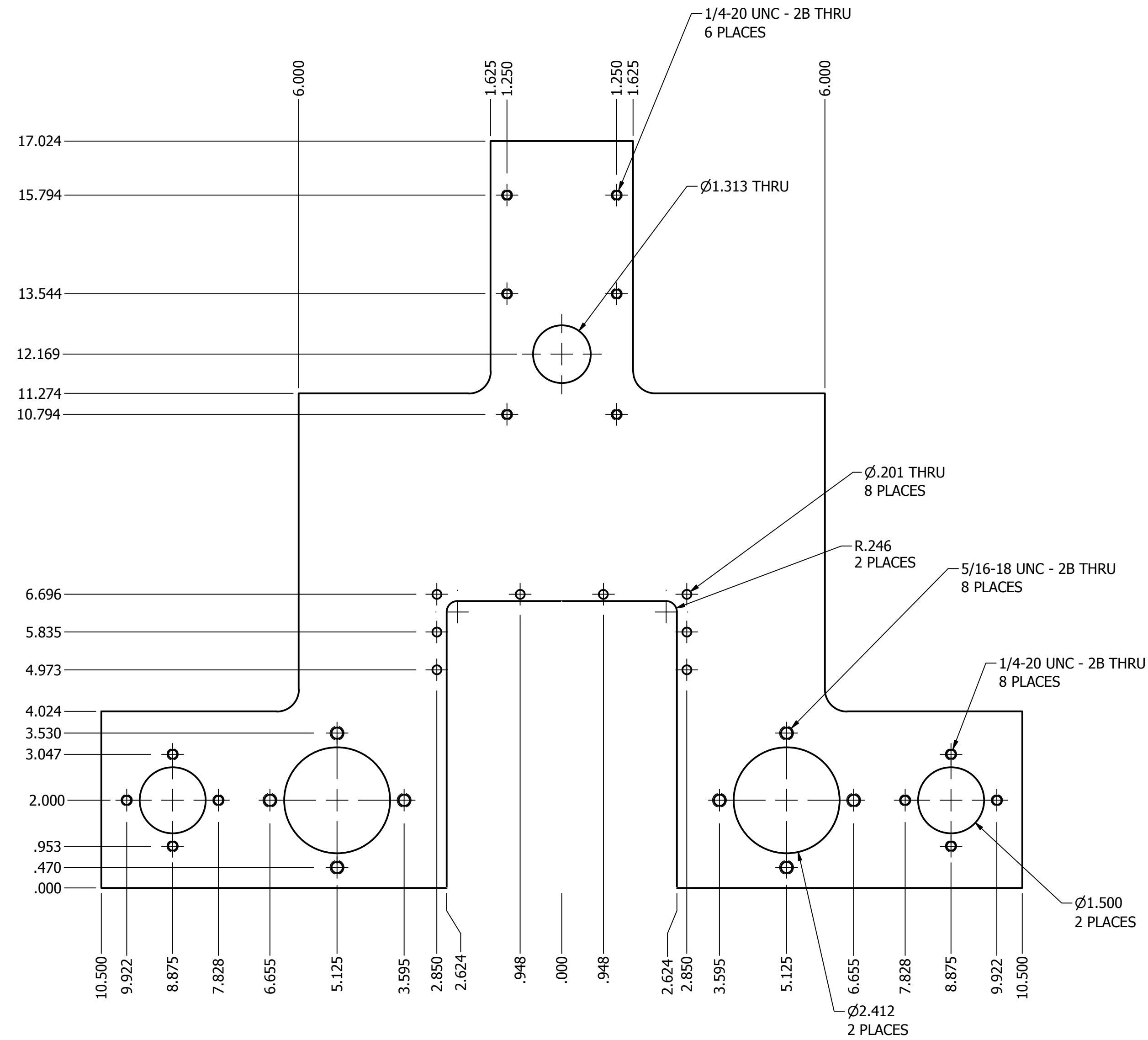


REVISION HISTORY				
ZONE	REV	DESCRIPTION	DATE	APPROVED
	-		9/17/2018	



Notes:
Material: 6061-T6 aluminum

DRAWN S. Cannon	9/17/2018	NMSU Physical Science Laboratory	
CHECKED		TITLE	
QA		E1039 PPT Lifter Mid Plate Detail	
MFG		SIZE D	DWG NO MDT-017990-0800-01
APPROVED		SCALE 1 / 2	REV -
		SHEET 1 OF 1	