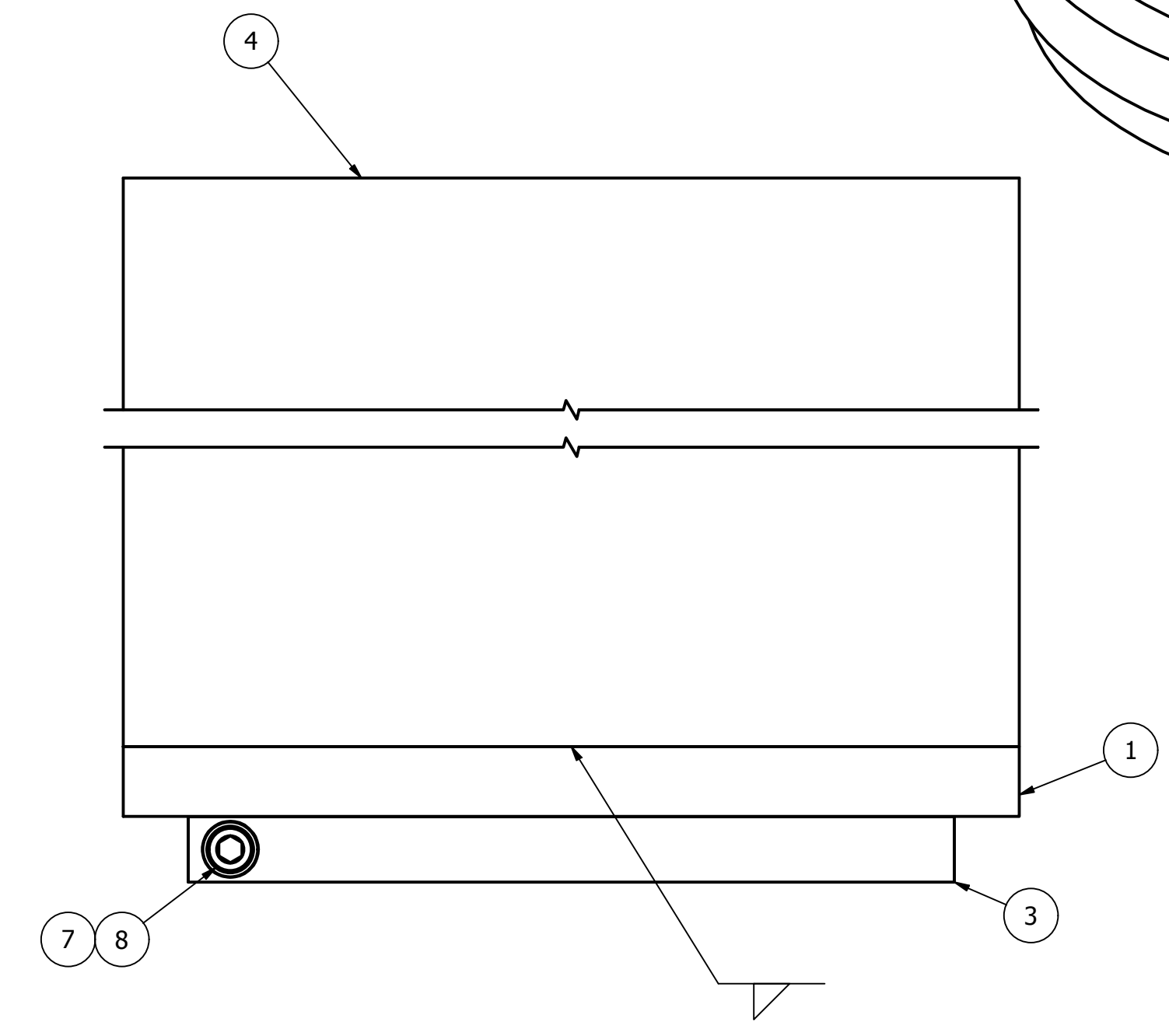
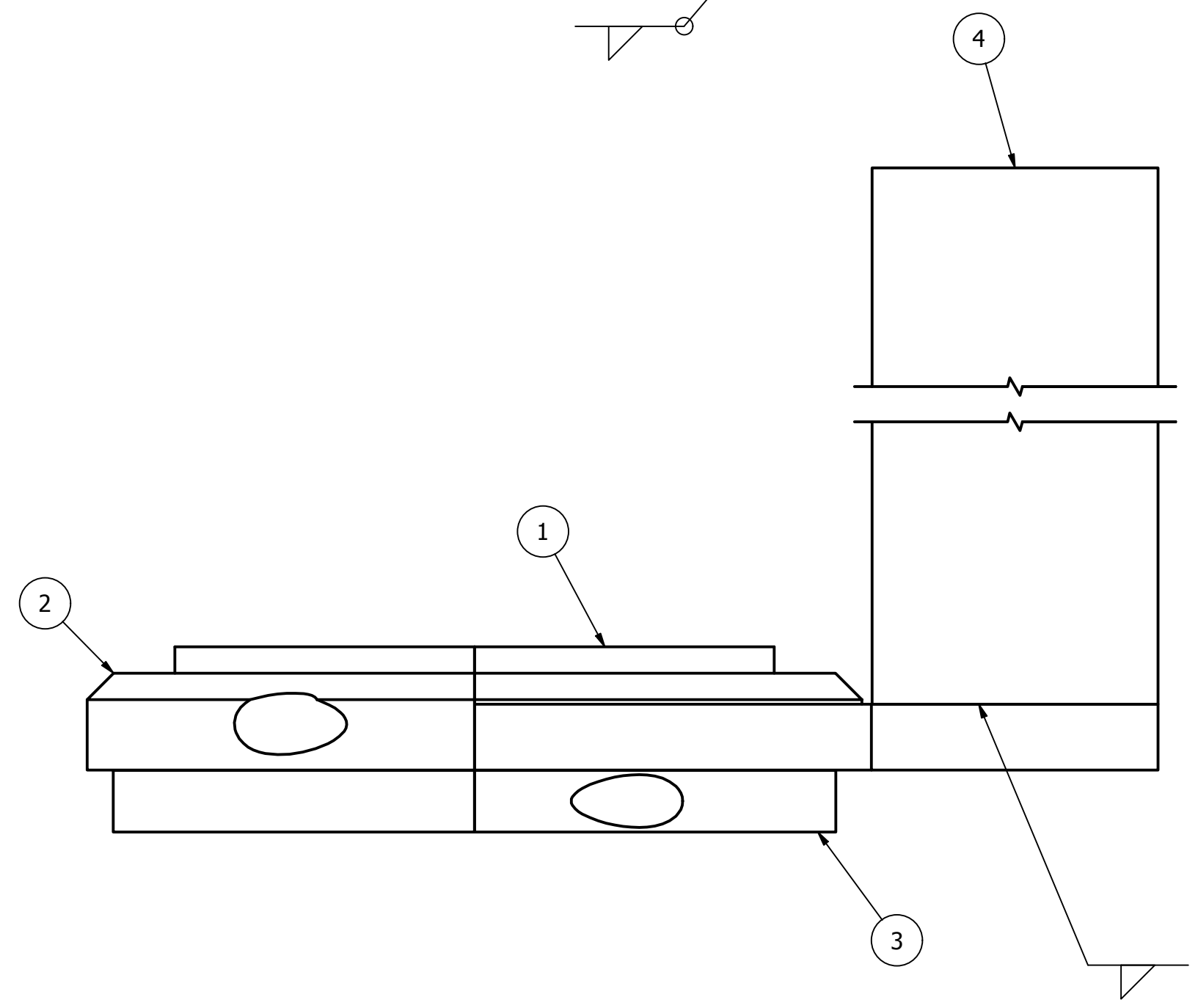
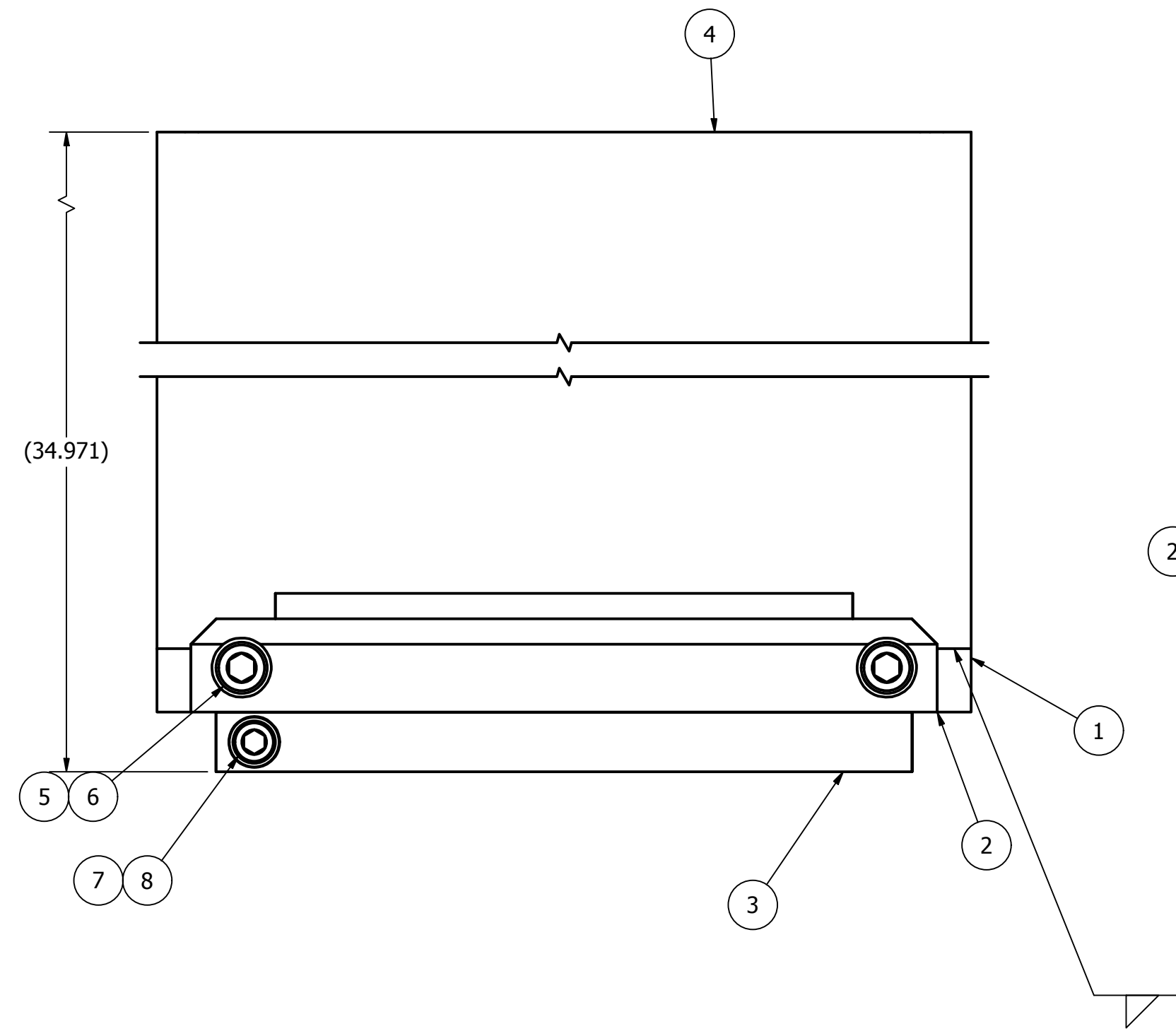
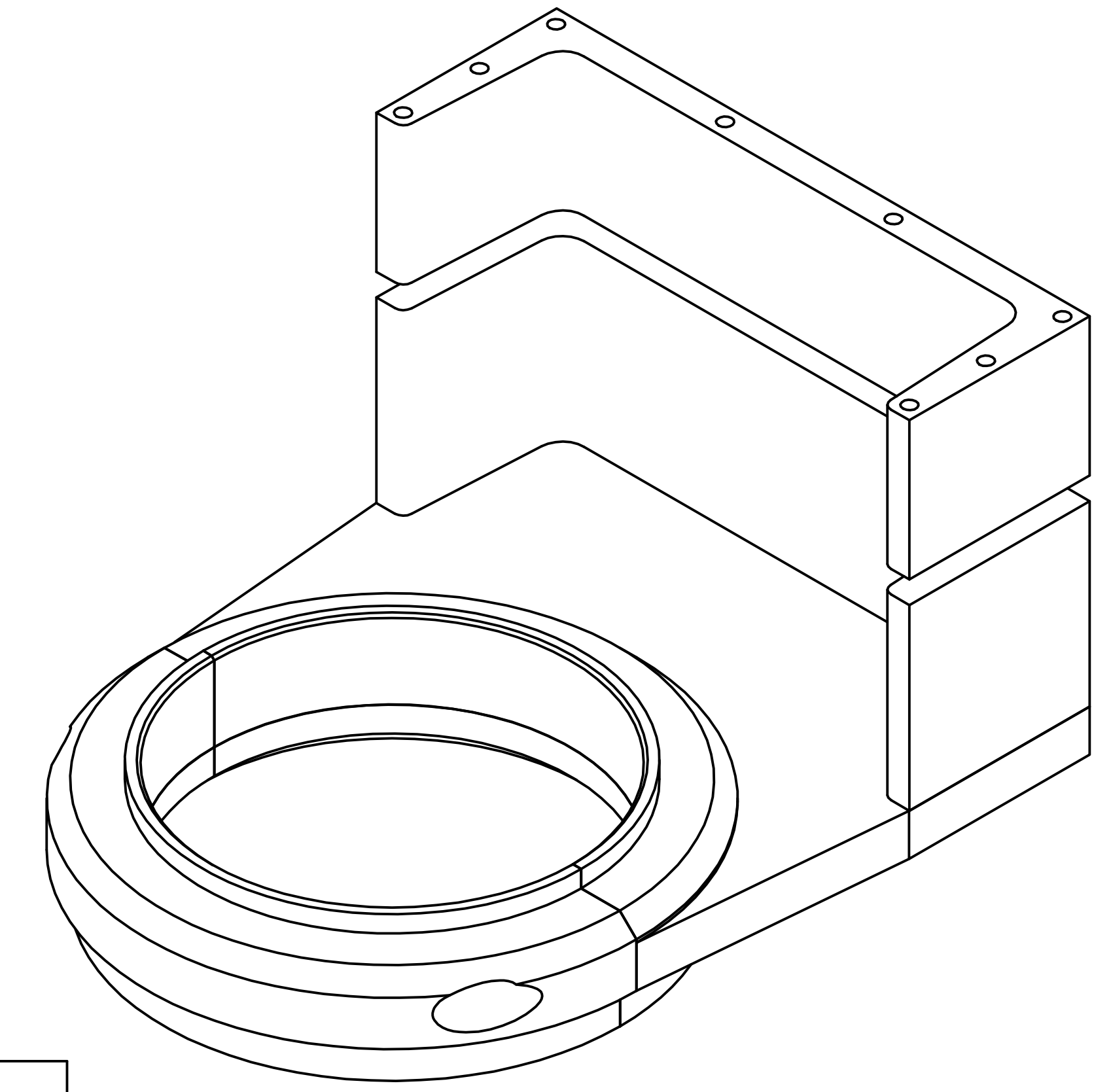
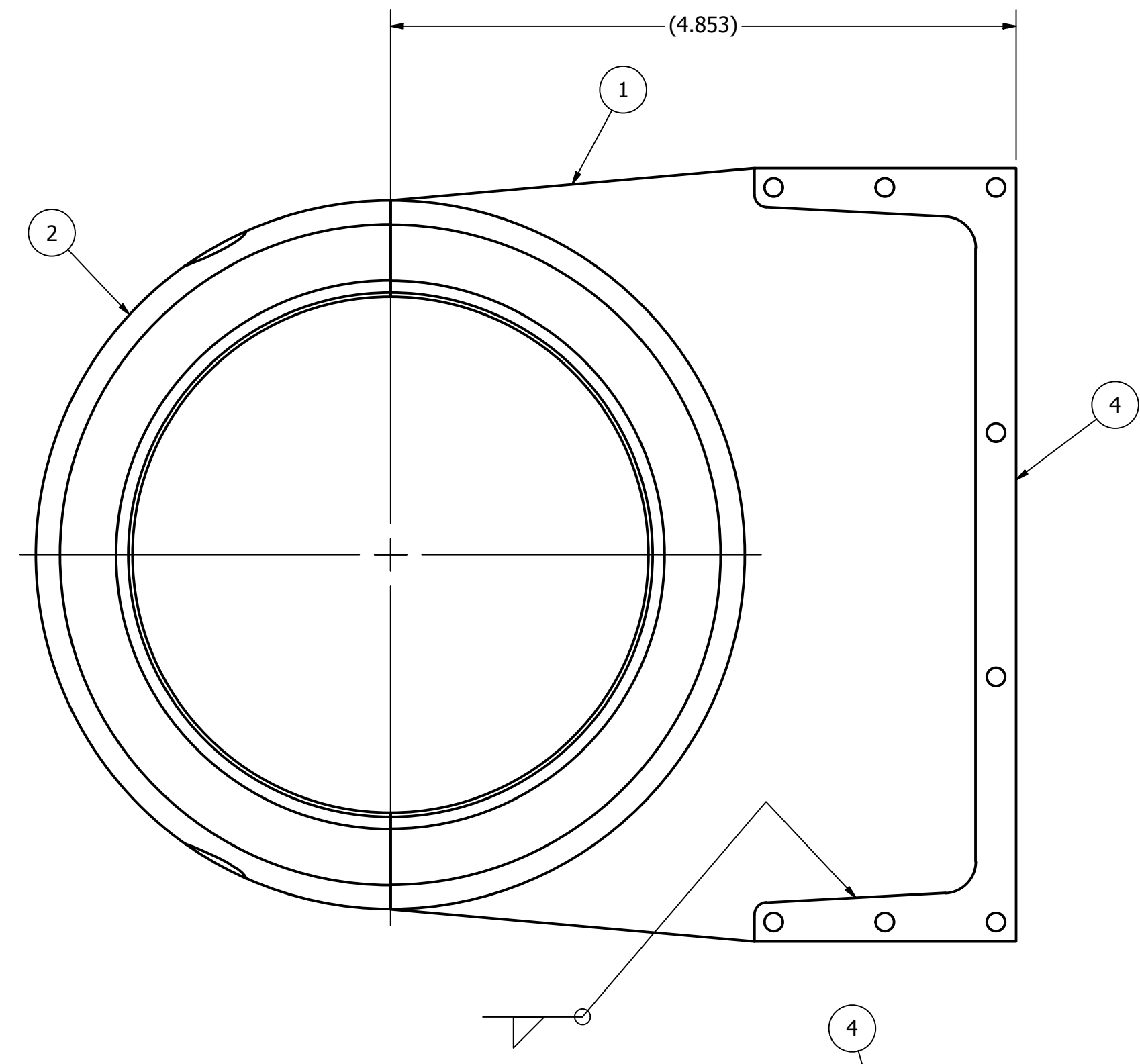


REVISION HISTORY				
ZONE	REV	DESCRIPTION	DATE	APPROVED
	-		9/17/2018	



PARTS LIST			
ITEM	QTY	PART NUMBER	DESCRIPTION
1	1	MDT-017990-0200-01	E1039 PPT Bellows Support Detail
2	1	MDT-017990-0200-02	E1039 PPT Bellows Support Cap Detail
3	2	MDT-017990-0200-04	E1039 PPT Lifting Collar Detail
4	1	MDT-017990-0200-03	E1039 PPT Lifting Bar Detail
5	2	98019A228	MIL SPEC. 300 SERIES SS FLAT WASHER
6	2	92200A544	MILITARY SPECIFICATION SOCKET HEAD CAP SCREW
7	2	98019A226	MIL SPEC. 300 SERIES SS FLAT WASHER
8	2	92196A246	18-8 STAINLESS STEEL SOCKET HEAD CAP SCREW

DRAWN S. Cannon	9/17/2018	NMSU Physical Science Laboratory	
CHECKED		TITLE	
QA		Lifting Bar Assembly	
MFG		SIZE D	DWG NO SAS-017990-0200
APPROVED		SCALE 1 : 1	REV -
		SHEET 1 OF 1	