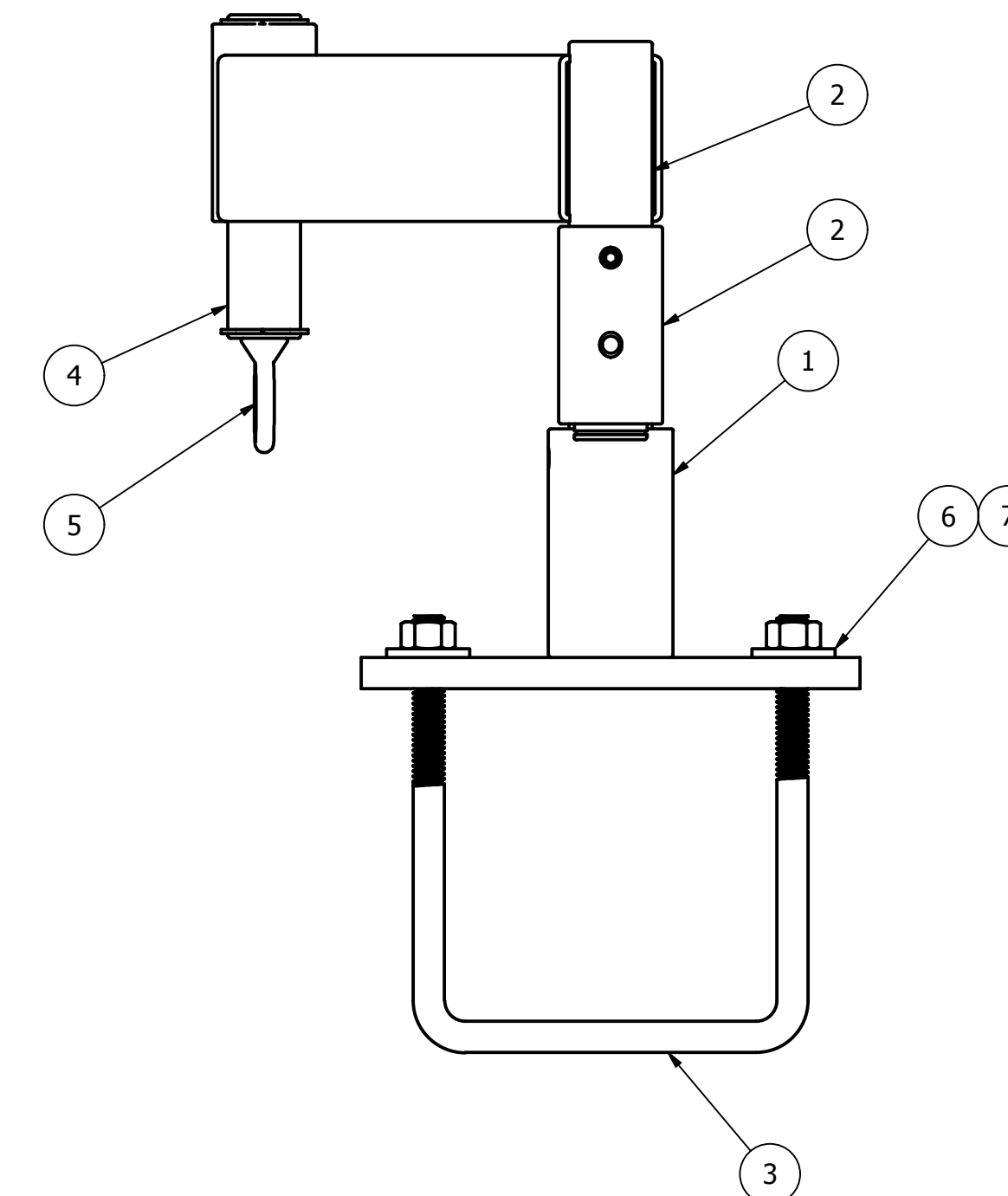
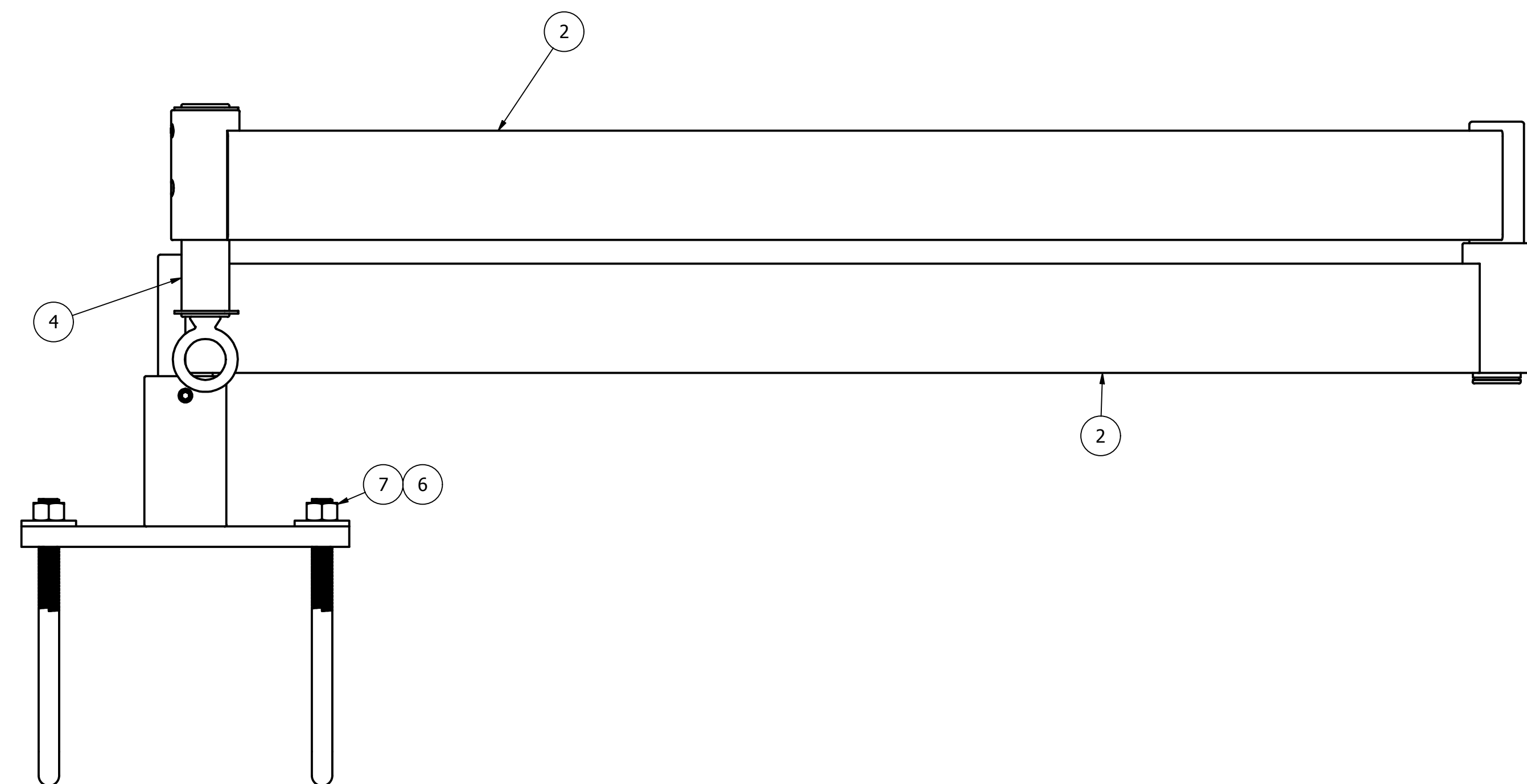
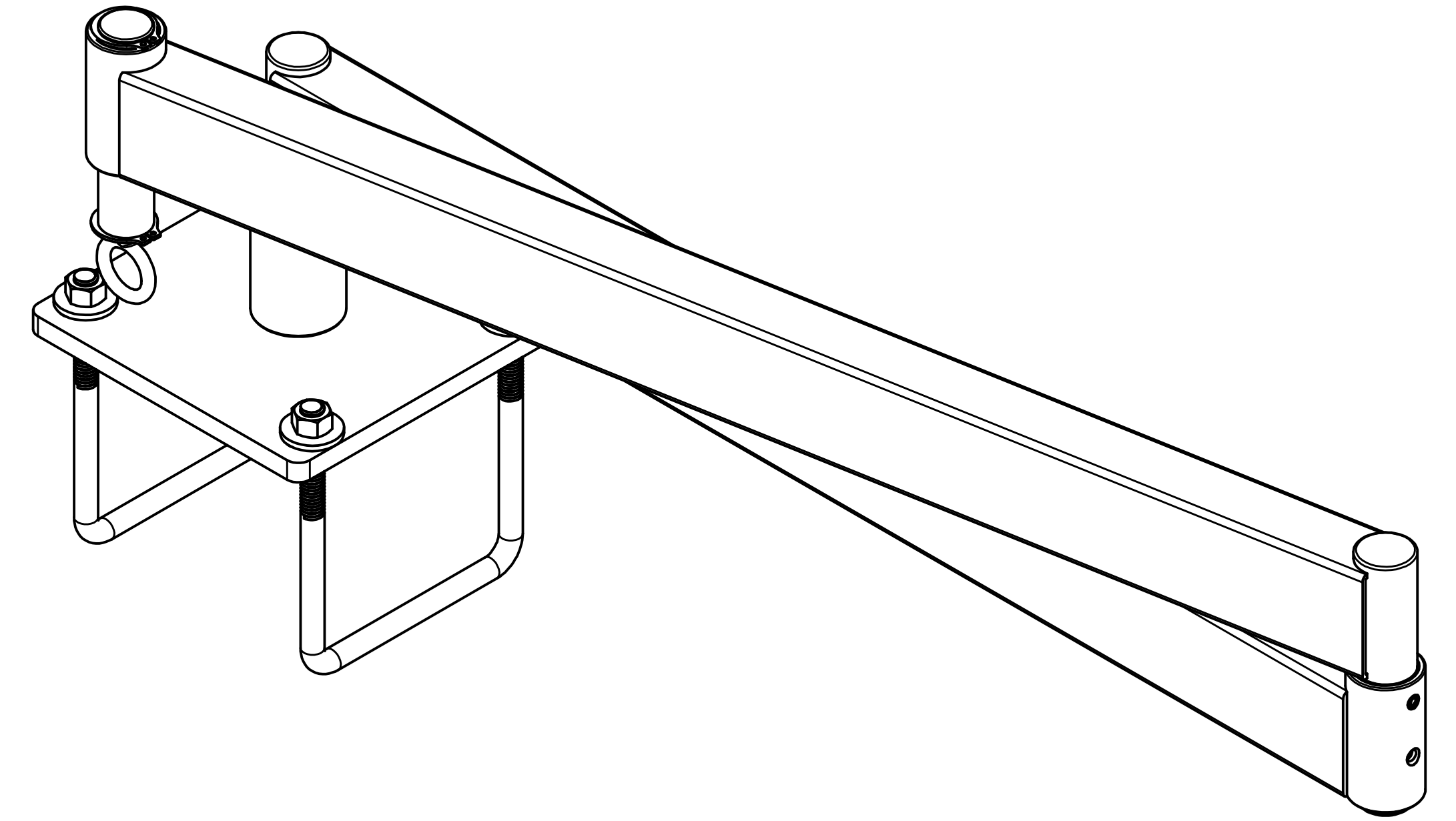
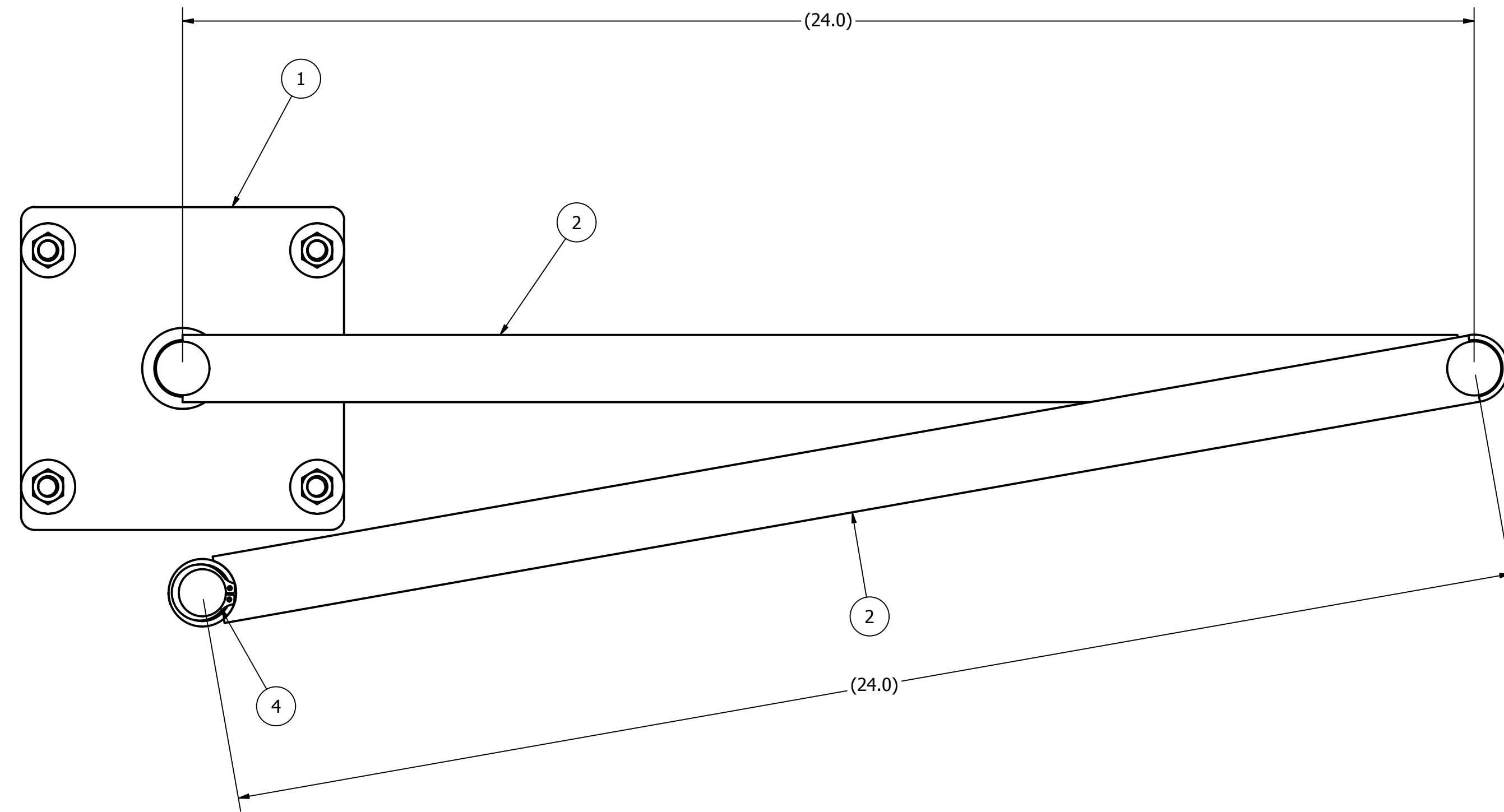


REVISION HISTORY				
ZONE	REV	DESCRIPTION	DATE	APPROVED
	-		8/22/2018	



PARTS LIST			
ITEM	QTY	PART NUMBER	DESCRIPTION
1	1	5164T510	POSITIONING ARM
2	2	5164T920	POSITIONING ARM
3	2	3060T760	SQUARE U-BOLT
4	1	MDT-017990-0400-01	5164T850 Modification Detail
5	1	33045T770	304 STAINLESS STEEL EYEBOLT
6	4	98019A500	MIL SPEC. 300 SERIES SS FLAT WASHER
7	4	92673A125	ASTM F594 TYPE 18-8 STAINLESS STEEL HEX NUT

DRAWN S. Cannon	8/22/2018	NMSU Physical Science Laboratory	
CHECKED		TITLE	
QA		E1039 PPT Positioning Arm Assembly	
MFG		SIZE D	DWG NO SAS-017990-0200
APPROVED		SCALE 1 / 2	REV -
		SHEET 1 OF 1	