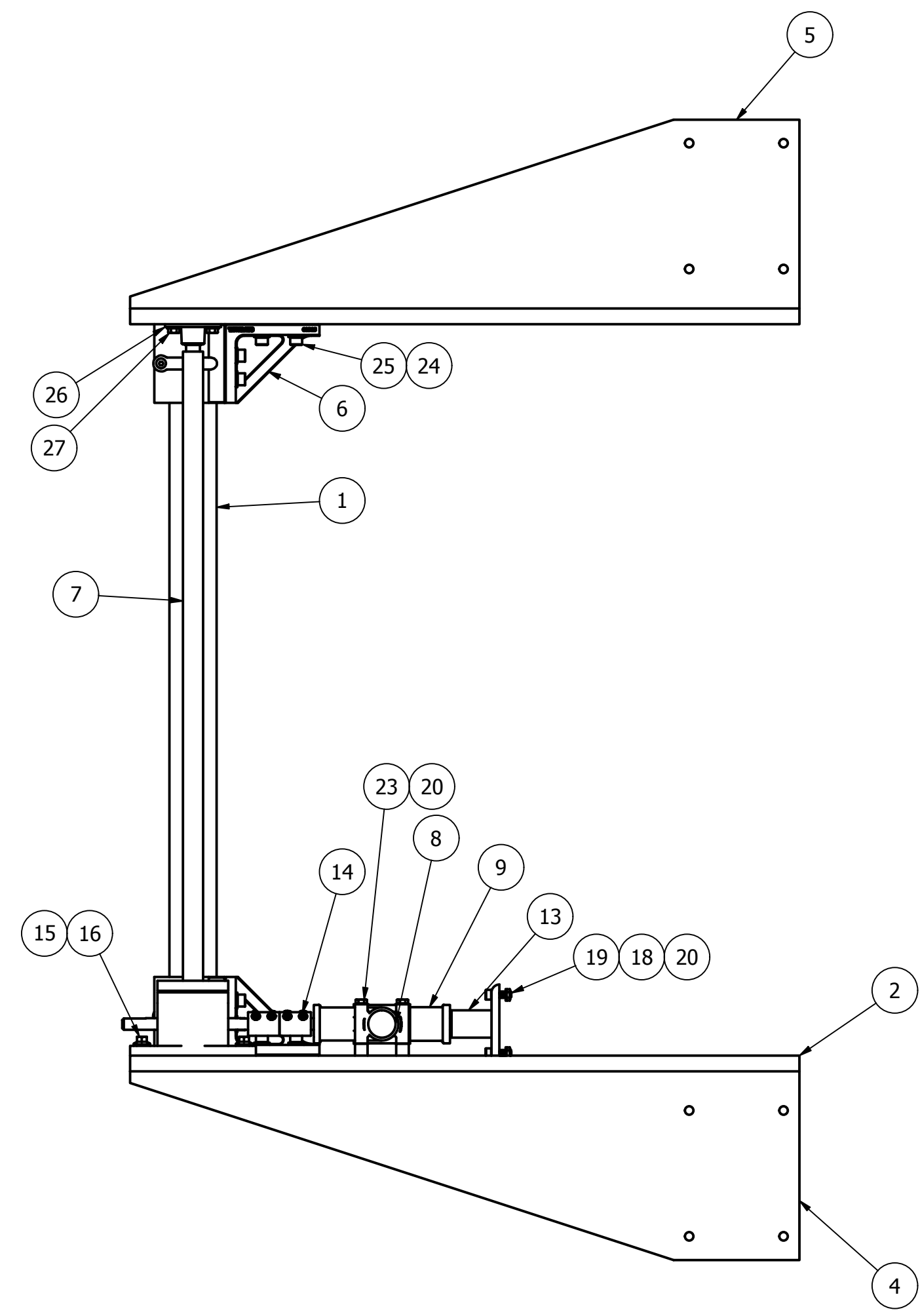
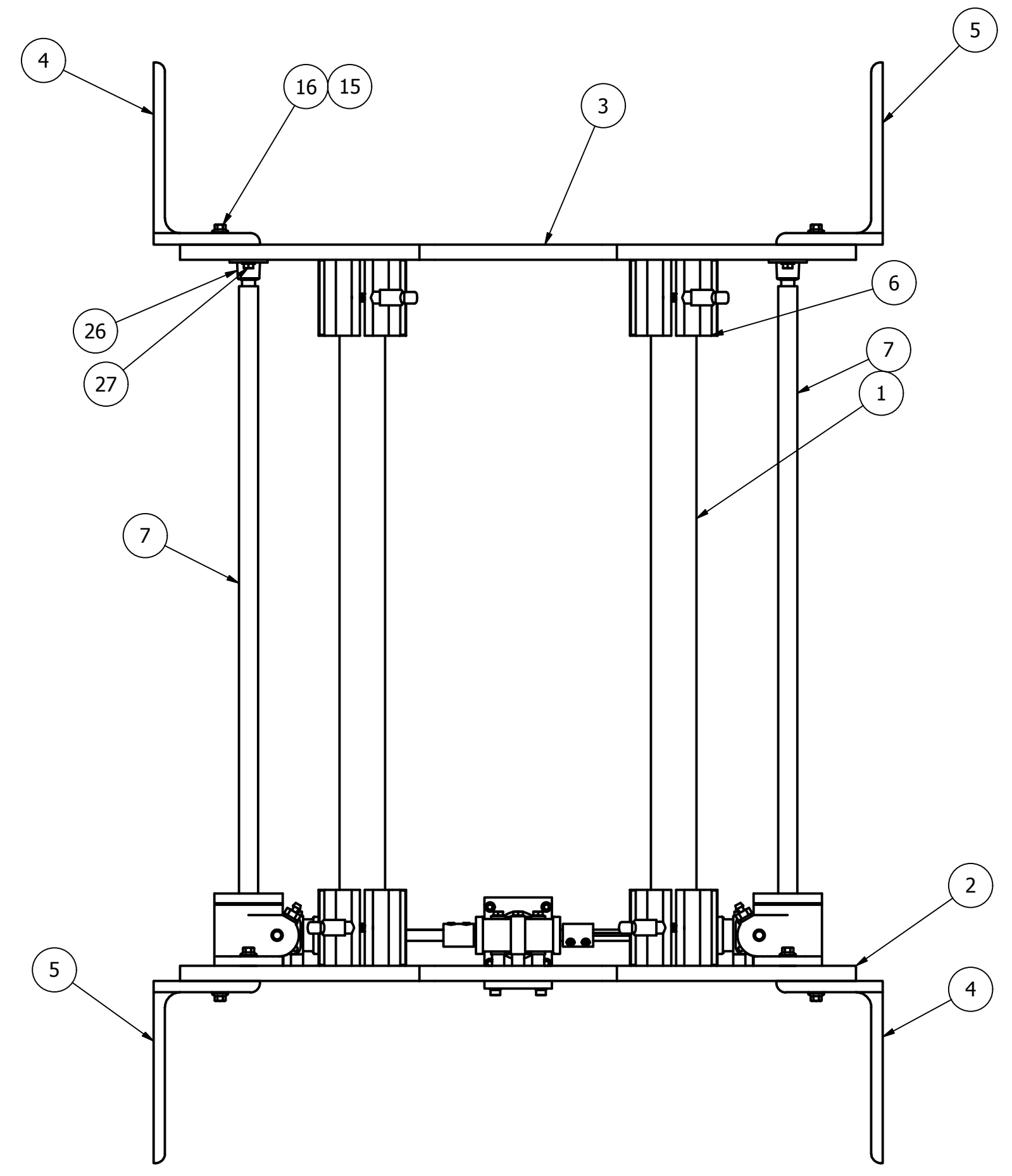
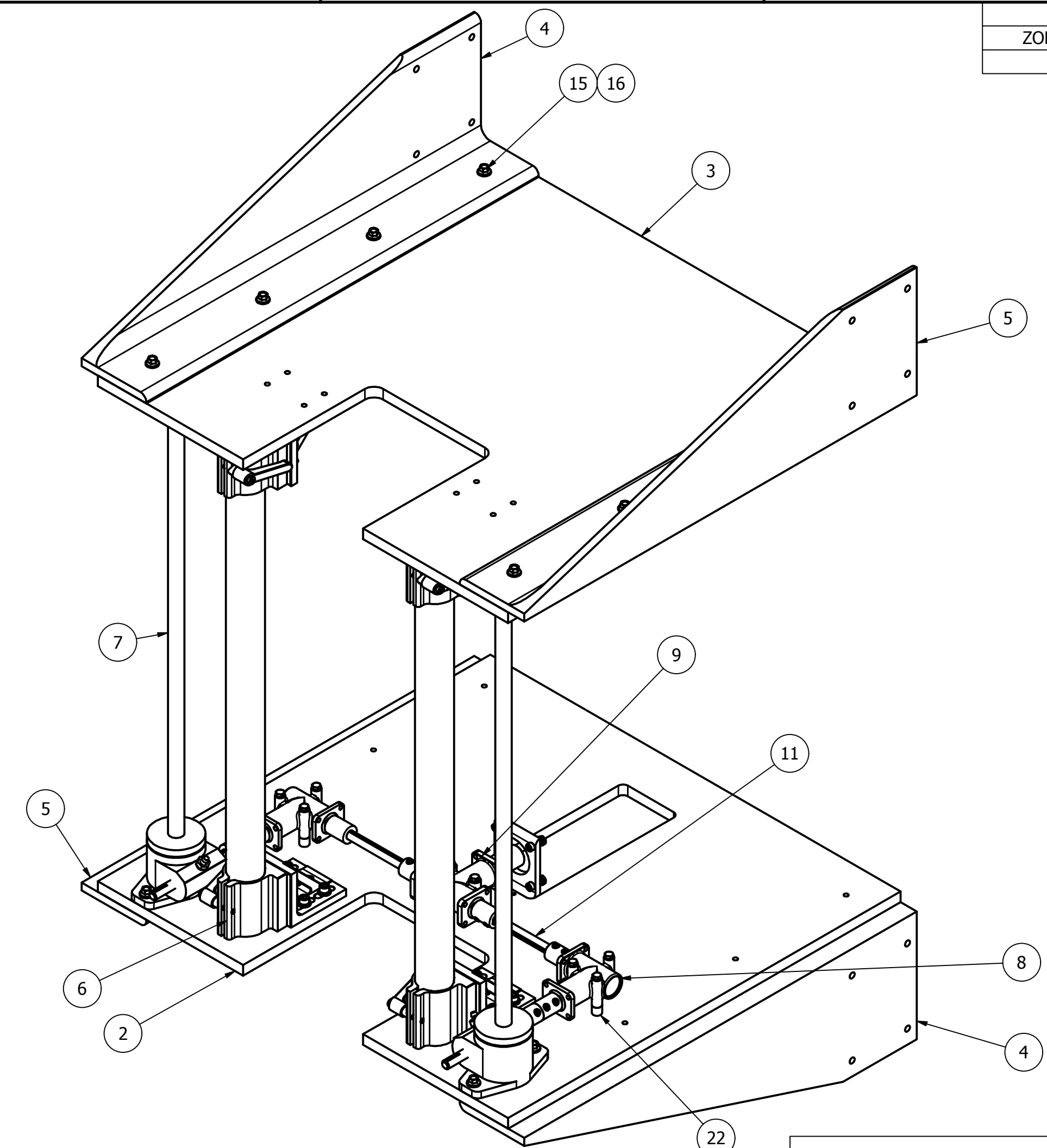
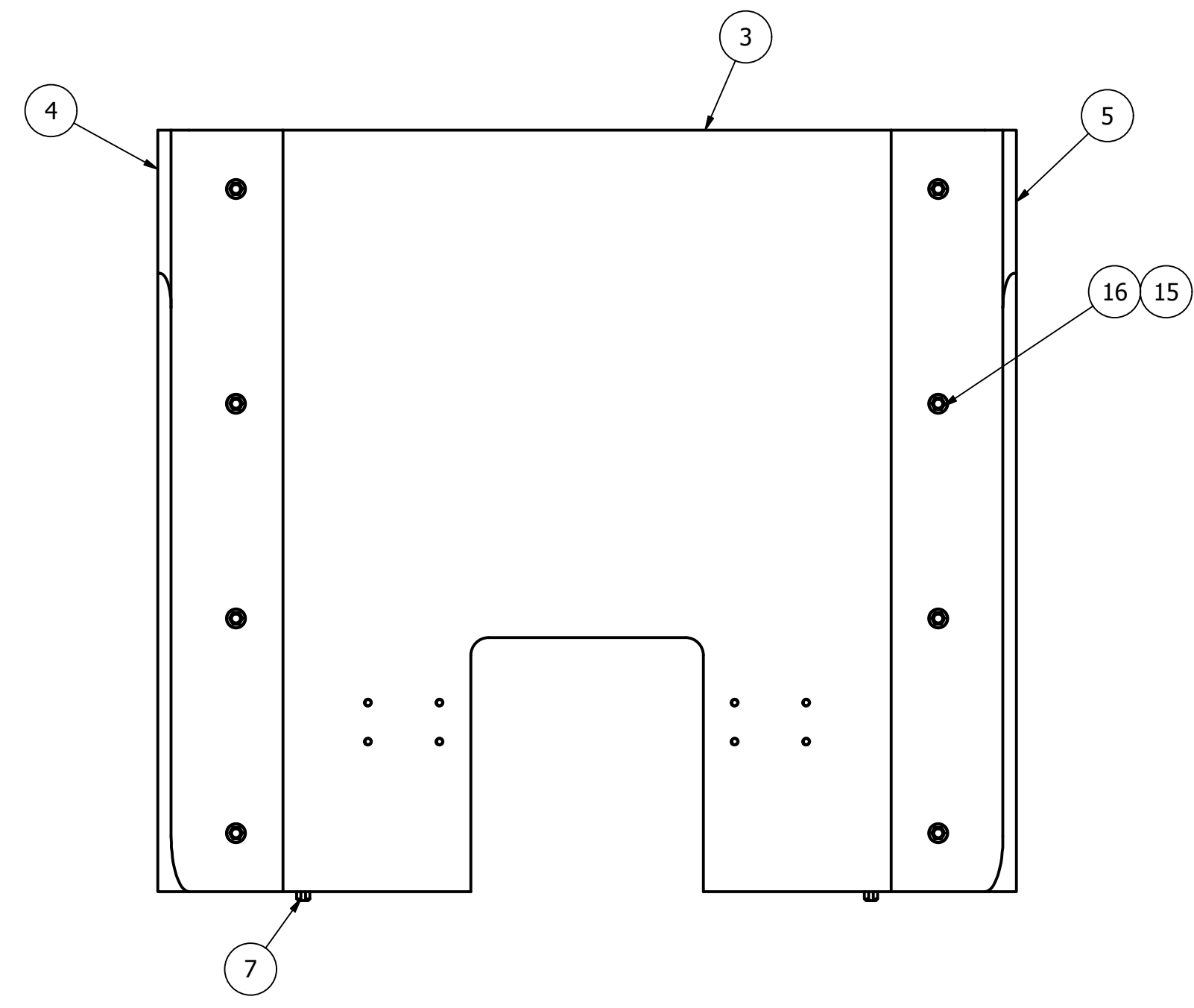


REVISION HISTORY				
ZONE	REV	DESCRIPTION	DATE	APPROVED
	-		9/17/2018	



ITEM	QTY	PART NUMBER	DESCRIPTION
1	2	F10094690	E1039 PPT LIFTER SHAFT
2	1	MDT-017990-0700-02	E1039 PPT Lifter Support Base Plate Detail
3	1	MDT-017990-0700-01	E1039 PPT Lifter Support Top Plate Detail
4	2	MDT-017990-0700-03-01	E1039 PPT Lifter Support Angle Detail
5	2	MDT-017990-0700-03-02	E1039 PPT Lifter Support Angle Detail (mirror)
6	4	C1515	Thorlabs Ø1.5" Mounting Post Bracket, 1/4"-20 Taps
7	2	F10095060	ACTUATOR DUFF NORTON UM28632 BODY
8	2	6456K110	EXTENDED-LIFE RIGHT-ANGLE GEAR BOX
9	1	6456K230	EXTENDED-LIFE RIGHT-ANGLE GEAR BOX
10	2	7398K100	Corrosion-Resistant Keyed Rotary Shaft, 1" long
11	2	7398K200	Corrosion-Resistant Keyed Rotary Shaft, 3.984" long
12	1	23HT76D	Applied Motion HT23-600 - NEMA 23 High Torque Step Motor
13	1	61005K633	ONE-PIECE CLAMP-ON RIGID SHAFT COUPLING
14	8	6099K290	TYPE 303 SS SET SCREW RIGID SHAFT COUPLING
15	20	98019A232	18-8 Stainless Steel Mil. Spec. Washer
16	20	94288A114	EXTREME-STRENGTH SS FLANGE HEAD CAP SCREW
17	1	MDT-017990-0700-04	E1039 PPT Step Motor Mounting Bracket
18	4	90730A011	TYPE 18-8 STAINLESS STEEL NARROW HEX NUT
19	4	92200A244	MILITARY SPECIFICATION SOCKET HEAD CAP SCREW
20	17	98019A226	MIL SPEC. 300 SERIES SS FLAT WASHER
21	4	92200A245	MILITARY SPECIFICATION SOCKET HEAD CAP SCREW
22	9	MDT-017990-0700-05	E1039 PPT Gear Box Mounting Spacer
23	9	92314A253	18-8 STAINLESS STEEL HEX HEAD MACHINE SCREW
24	16	98017A660	MIL SPEC. 300 SERIES SS FLAT WASHER
25	16	92200A540	MILITARY SPECIFICATION SOCKET HEAD CAP SCREW
26	2	F10101062	PPT LIFT TABLE SHAFT BEARING
27	4	97646A236	TYPE 18-8 SS SERRATED FLANGE HEAD CAP SCREW

DRAWN S. Cannon	9/17/2018	NMSU Physical Science Laboratory	
CHECKED		TITLE	
QA		E1039 PPT Lifter Support Assembly	
MFG		SIZE D	DWG NO SAS-017990-0700
APPROVED		SCALE 1 / 4	REV -
		SHEET 1 OF 1	