

Group Meeting Update

Joshua Hoskins

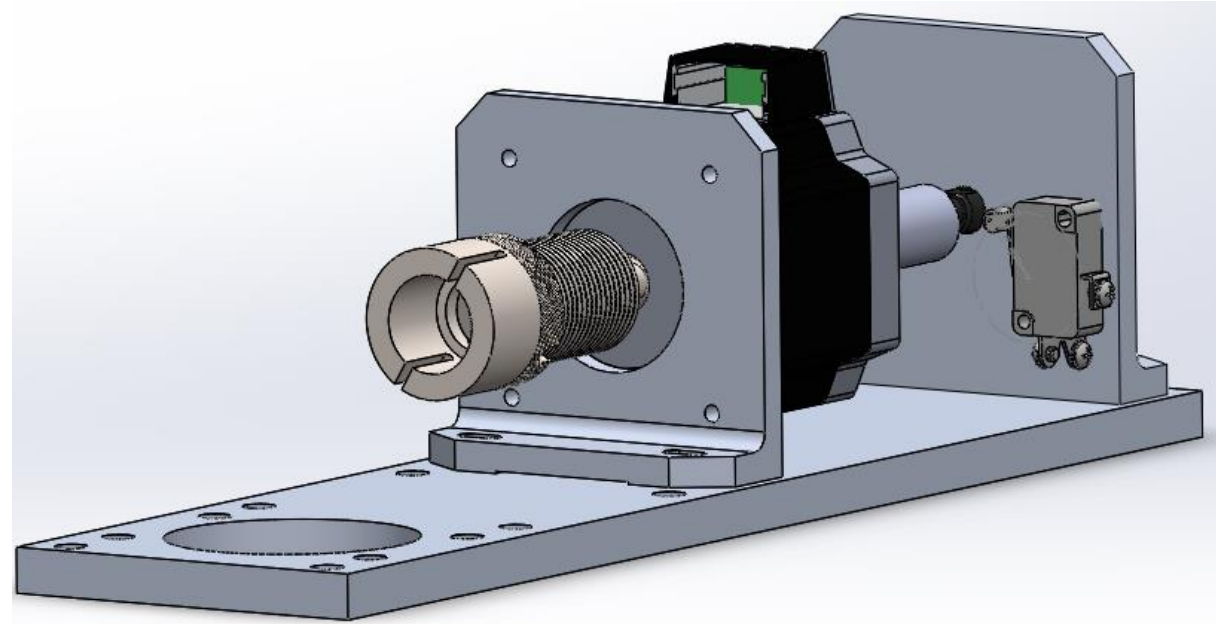
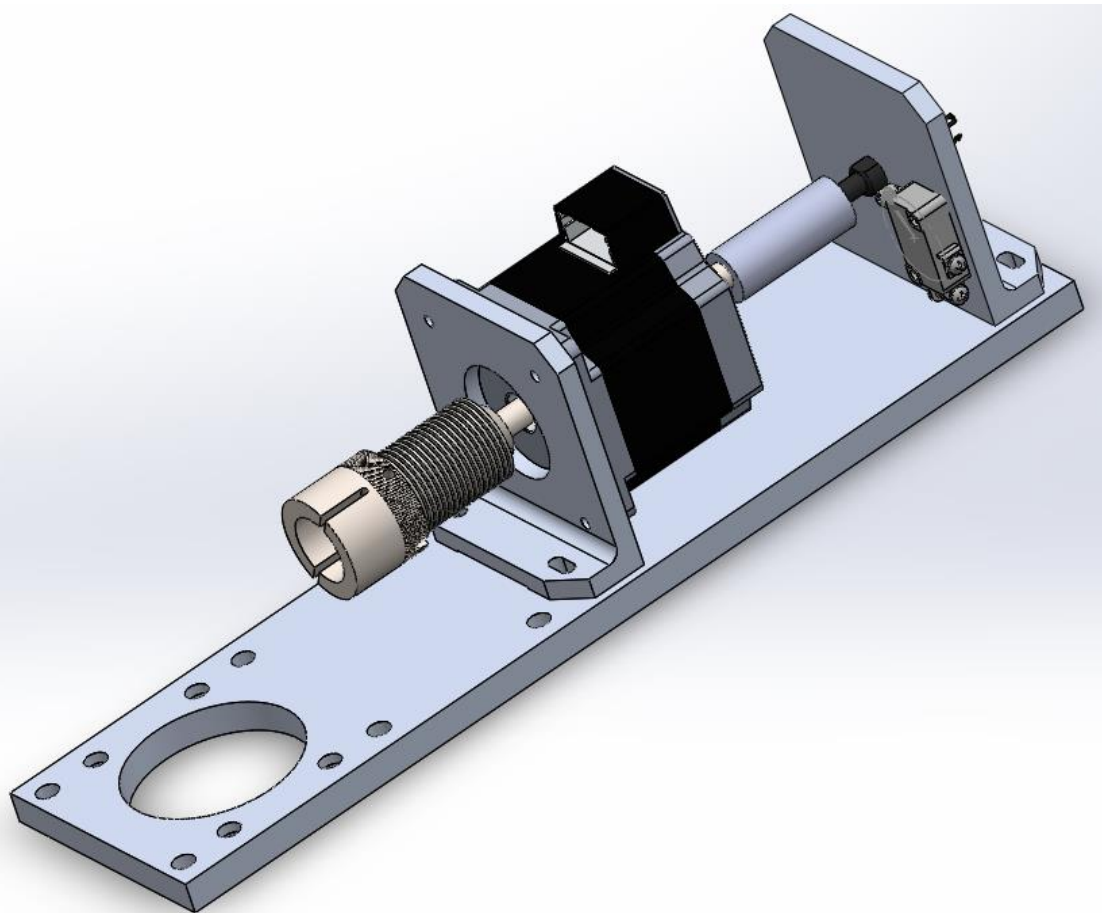
Summary

- Microwave Motor System
- Preparations for Fermilab

Motor Control System

- New motor and accompanying controller received.
- Controller and motor are separate to alleviate radiation worries.
- New controller is directly compatible with the current controller's communications format – no need to change code.
- We are working on implementing the HOME switch and the continuous position readback.

Motor System Redesign



Mounting platform for motor and EIO extended for additional controls mounting.

CERMET potentiometer used to monitor rotational position

Coupling CAM used to connect potentiometer and rear motor shaft. Mini-roller switch and CAM used to trigger HOME signal.

All controls strictly analog – no issues with radiation damage.

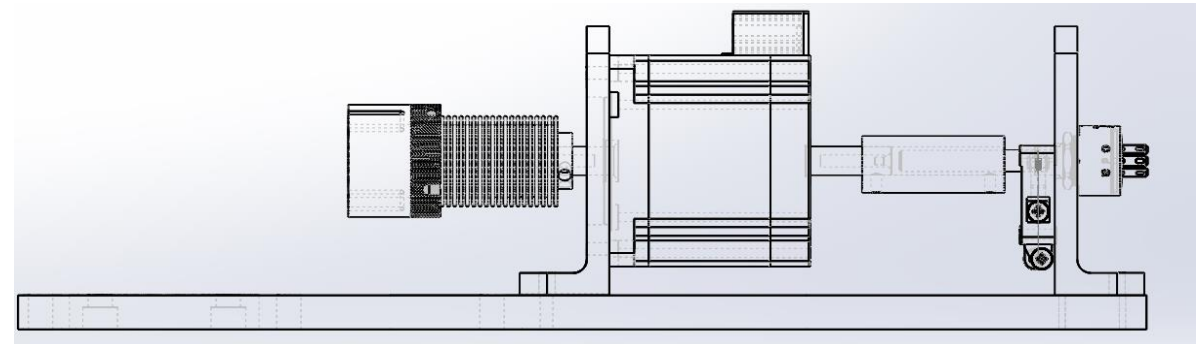
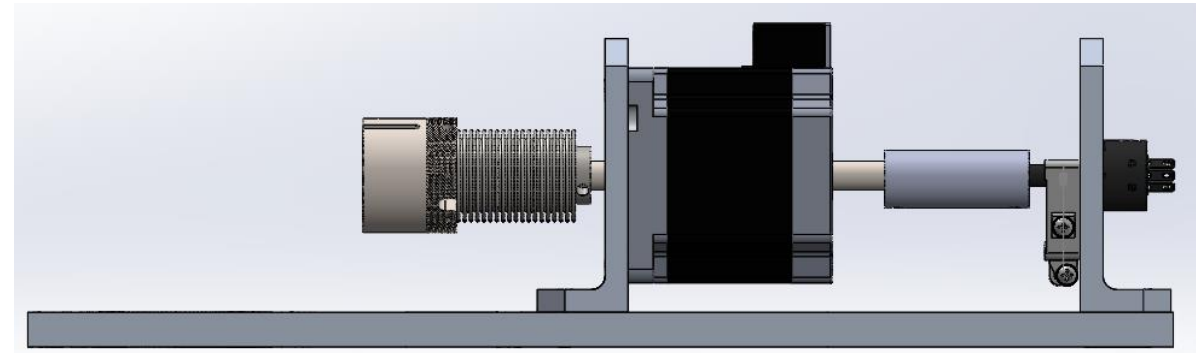
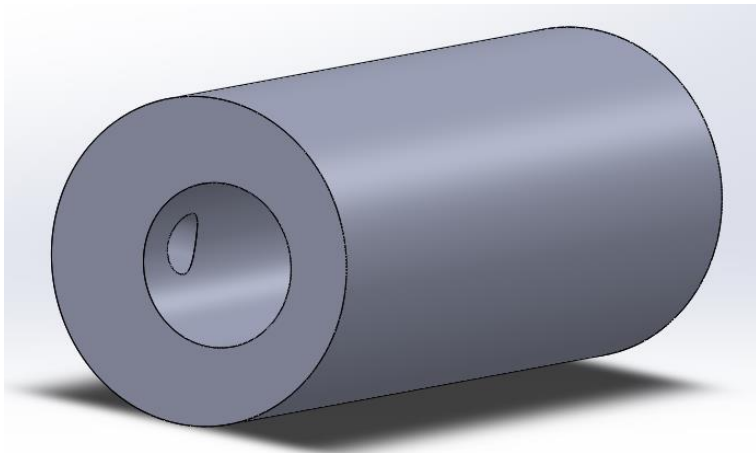
Motor System Redesign

Mounting platform for motor and EIO extended for additional controls mounting.

CERMET potentiometer used to monitor rotational position

Coupling CAM used to connect potentiometer and rear motor shaft. Mini-roller switch and CAM used to trigger HOME signal.

All controls strictly analog – no issues with radiation damage.



Fermilab Preparations

- Target packed and ready for pickup – expected in the coming week.
- Cabling and peripherals being cataloged for shipment to Fermilab.
- There are still things needed: Cryo-safety document and cryo-platform rack layout.
- Semi-Bi-weekly target meetings will now be weekly.

Plans

- Piping and Instrumentation Diagram for gas system – needed for Fermilab approval.
- Finish microwave changes and start getting software up and working again. This includes testing new features and doing dummy tests.
- Long-term tuning tests and automated polarization optimization.