

## Paddle Type Flow Switch for Liquids



measuring  
•  
monitoring  
•  
analyzing

PSR / PS



- Switch Point Adjustable
- Easy to Install
- Brass or SS Construction
- Low Cost
- Maximum Pressure, Brass: 1450 PSIG
- Maximum Pressure, SS: 3625 PSIG



KOBOLD companies worldwide:

ARGENTINA, AUSTRALIA, AUSTRIA, BELGIUM, BULGARIA, CANADA, CHILE, CHINA, COLOMBIA, CZECH REPUBLIC, EGYPT, FRANCE, GERMANY, HUNGARY, INDIA, INDONESIA, ITALY, MALAYSIA, MEXICO, NETHERLANDS, PERU, POLAND, REPUBLIC OF KOREA, ROMANIA, SINGAPORE, SPAIN, SWITZERLAND, TAIWAN, THAILAND, TUNISIA, TURKEY, UNITED KINGDOM, USA, VIETNAM

KOBOLD Instruments, Inc.  
1801 Parkway View Drive  
Pittsburgh, PA 15205  
Main Office:  
1.800.998.1020  
1.412.788.4890  
info@koboldusa.com  
www.koboldusa.com



## Paddle Type Flow Switch Models PSR/PS

### Description

The KOBOLD PSR and PS are simple, economical and reliable monitors for flow switching applications. They operate as follows: The flowing media presses against the paddle fitted to one end of a balance arm which is in direct contact with a pre-stressed leaf spring. At the other end of the arm is a permanent magnet. This magnet actuates a reed contact in a bistable fashion located within a movable housing located outside of the media. The reed contact switches on or off depending on the position of the magnet and the switch housing. The switch status may then be used to control flow as the contacts can be set to normally open or normally closed. The PSR is made of brass or stainless steel with 1/4" NPT to 1-1/2" NPT fittings. The PS is made of brass or stainless steel with a 1/2" NPT fitting and is designed for installation in 2" to 8" pipes. Common applications include: cooling and lubricant circuits, dry running protection for pumps, prevention of low water levels, and monitoring for pipe breakage.

### Specifications

**Switching Tolerance:** ± 15%

**Media Temperature**

**Brass/NBR Seal:** -4...158 °F

**SS/FPM Seal:** 14...230 °F

**Ambient Temperature:** Max. 176 °F

**Max. Pressure**

**Brass:** 1/4"...1" = 1450 PSIG  
1-1/4"...1-1/2" = 360 PSIG

**SS:** 1/4"...1" = 3600 PSIG  
1-1/4"...1-1/2" = 580 PSIG

**Ingress Protection:** IP 65

**Mounting Orientation:** Horizontal Flow Preferred

**Max Flow Rate:** 5x Switching Range, Increasing

**Maximum Contact Ratings (cCSAus):**

**SPST Contact:** 2A, 20 V<sub>AC</sub>, 0.18 A, 230 V<sub>AC</sub>, max. 40 W

**SPDT Contact:** 0.13 A, 150 VAC, 0.5 A, 40 VAC, max. 20 W

**Cable:** PVC Jacketed

**Cable Length:** Standard: 5 Ft. (1.5m),  
Optional (SPST only): 10, 15 or 21 Ft.



Model PS



Model PSR

### Materials

	PSR/PS-51..	PSR/PS-52..
Case	MS58 Brass	304 SS
Paddle	304 Stainless Steel	
Leaf Spring	301 Stainless Steel	
Balance Arm	301 Stainless Steel	
Sleeve	MS58 Brass	304 SS
Magnet	Oxide Ceramics	
Seal	NBR	FKM
Contact Tube	Polyamide, Glass Reinforced	

\*U.S. Patent Number: 4,827,092

### Order Details: PSR w/Standard Switching Ranges (Example: PSR-5105)

Connection (NPT)	Approximate Switching Range*		Model / Material		Options
	Increasing GPM (Water)	Decreasing GPM (Water)	Brass	Stainless Steel	
1/4"	0.6...1.2	0.4...1.2	PSR-5105	PSR-5205	..U = SPDT Switch, 5 Ft. Cable ..EC10 = SPST w/10 Ft. Cable ..EC15 = SPST w/15 Ft. Cable ..EC21 = SPST w/21 Ft. Cable
3/8"	0.7...1.5	0.6...1.4	PSR-5110	PSR-5210	
1/2"	0.7...1.6	0.5...1.6	PSR-5115	PSR-5215	
3/4"	2.0...3.5	1.6...3.4	PSR-5120	PSR-5220	
1"	2.0...4.8	1.9...4.5	PSR-5125	PSR-5225	
1-1/4"	5.2...9.7	5.3...8.5	PSR-5132	PSR-5232	
1-1/2"	6.1...15.2	6.2...14.0	PSR-5140	PSR-5240	

\*Listed values are valid only for horizontal installations



**Order Details: PSR with Special Switching Ranges** (Example: **PSR-5105 2**)

Connection (NPT)	Approximate Switching Range*		Model / Material		Option
	Increasing GPM (Water)	Decreasing GPM (Water)	Brass	Stainless Steel	
1/4"	1.3...1.7	0.9...1.6	PSR-5105 2	PSR-5205 2	..U = SPDT Switch, 5 Ft. Cable ..EC10 = SPST w/10 Ft. Cable ..EC15 = SPST w/15 Ft. Cable ..EC21 = SPST w/21 Ft. Cable
	1.5...2.0	1.2...2.0	PSR-5105 1	PSR-5205 1	
3/8"	1.5...1.8	1.2...1.8	PSR-5110 2	PSR-5210 2	
	1.8...2.2	1.5...2.2	PSR-5110 1	PSR-5210 1	
1/2"	2.2...2.8	1.9...2.7	PSR-5115 2	PSR-5215 2	
	2.5...3.2	2.2...3.1	PSR-5115 1	PSR-5215 1	
3/4"	4.7...6.5	4.0...6.1	PSR-5120 5	PSR-5220 5	
	5.4...7.9	4.3...7.4	PSR-5120 4	PSR-5220 4	
	9.2...12.7	8.1...12.3	PSR-5120 1	PSR-5220 1	
1"	4.7...7.0	3.4...6.5	PSR-5125 7	PSR-5225 7	
	6.9...9.5	5.7...9.0	PSR-5125 5	PSR-5225 5	
	7.9...11.3	6.6...10.8	PSR-5125 4	PSR-5225 4	
	12.6...17.7	11.6...17.1	PSR-5125 1	PSR-5225 1	

\*Listed values are valid only for horizontal installations

**Order Details: PS** (Example: **PS-5149**)

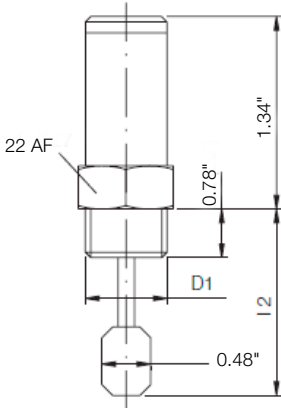
Pipe Size	Approximate Switching Range*		Connection	Model / Material		Option
	Increasing GPM (Water)	Decreasing GPM (Water)		Brass	Stainless Steel	
2"	18...24	16...22	1/2" NPT	PS-5149	PS-5249	..U = SPDT Switch, 5 Ft. Cable ..EC10 = SPST w/10 Ft. Cable ..EC15 = SPST w/15 Ft. Cable ..EC21 = SPST w/21 Ft. Cable
3"	48...66	45...62				
4"	84...106	79...101				
6"	185...242	176...237		PS-5152	PS-5252	
2"	13...16	11...15				
3"	41...48	38...44				
4"	57...70	53...66				
6"	147...159	137...156		PS-5114	PS-5214	
4"	24...30	19...27				
6"	53...75	44...62				
8"	101...141	88...123				

\*Listed values are valid only for horizontal installations

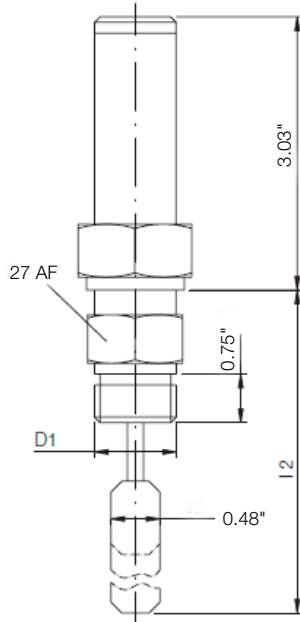


**Dimensions**

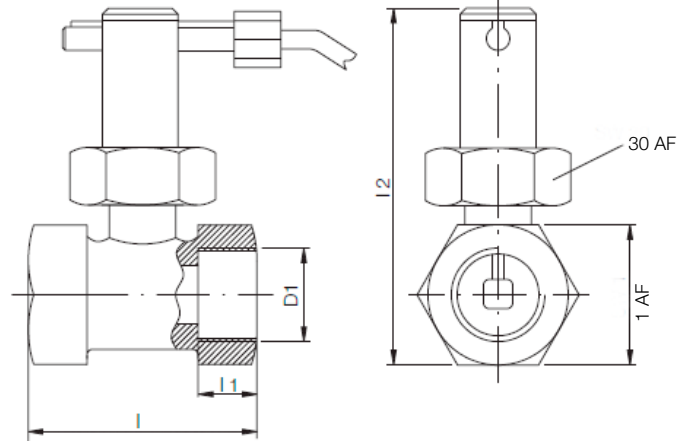
**Model PS--.49**



**Models PS--.52 and PS--.14**



**Model PSR**



Model	D1	L <sub>2</sub>
PS--.49	1/2" NPT	2.32"
PS--.52	1/2" NPT	2.22"
PS--.14	1/2" NPT	4.52"

Model	D1	L	L <sub>1</sub>	L <sub>2</sub>	1 AF
PSR--.05	1/4" NPT	1.97"	0.39"	3.70"	1.06"
PSR--.10	3/8" NPT	1.97"	0.39"	3.70"	1.06"
PSR--.15	1/2" NPT	1.97"	0.39"	3.70"	1.06"
PSR--.20	3/4" NPT	2.05"	0.59"	3.85"	1.25"
PSR--.25	1" NPT	2.20"	0.59"	4.08"	1.54"
PSR--.32	1-1/4" NPT	2.60"	-	4.49"	1.97"
PSR--.40	1-1/2" NPT	2.60"	-	4.79"	2.36"

**Switch Point Setting**

To adjust the switch set-point, slightly loosen the two screws that secure the locking washer at the top of the casing and move the contact unit. Blue/white & red arrows located on the contact unit serve as an adjustment aid. The front edge of the locking washer serves as an adjustment mark.

**N/O Contact**

The switching volume may then be adjusted at the red arrow. The minimum switching values specified in the table are set by moving the contact unit in the flow direction. The maximum switching values noted in the table are set by moving the contact unit against the direction of flow. Evenly tighten the two screws that secure the locking washer after the desired settings have been made.

**N/C Contact**

The switching volume may then be adjusted at the blue/white arrow. The minimum switching values specified in the table are set by moving the contact unit in the flow direction. The maximum switching values noted in the table are set by moving the contact unit against the direction of flow. Evenly tighten the two screws that secure the locking washer after the desired settings have been made.

